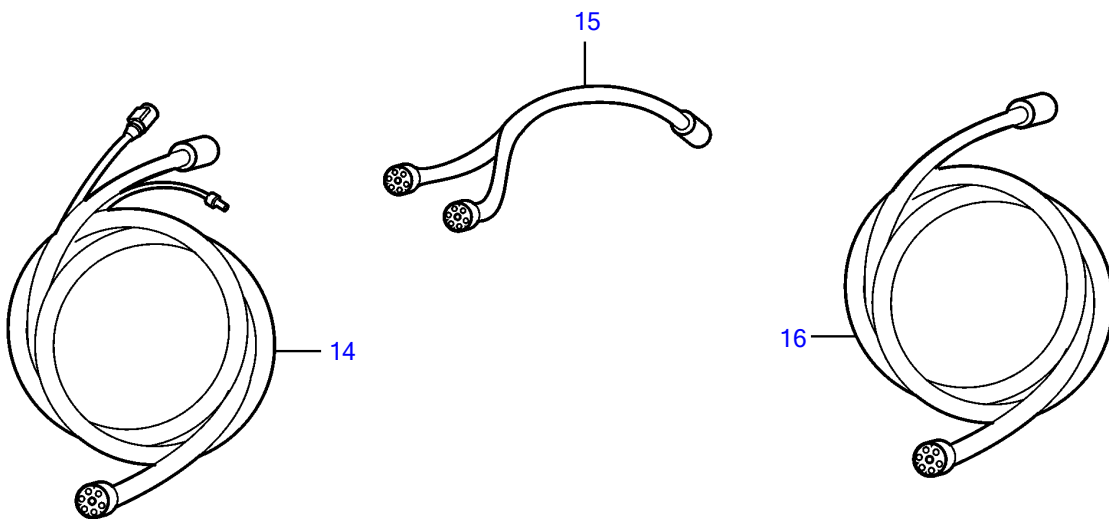
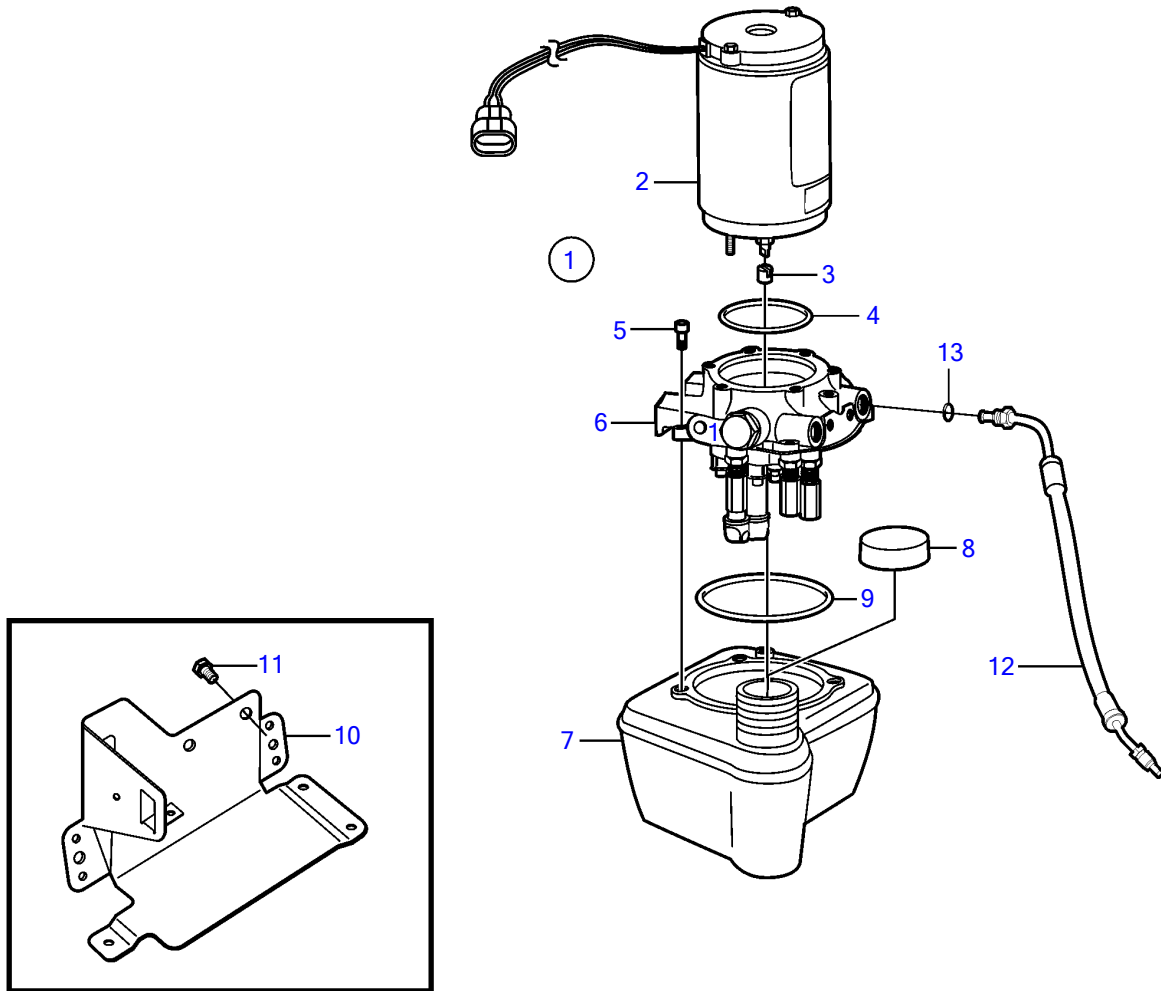


SX-M, SX-MACLT, SX-MBAC, SX-MHP



SX-M, SX-MACLT, SX-MBAC, SX-MHP

REF	PART NO.	QTY	DESCRIPTION	NOTES
1	3819846	1	Trimmer valve, trim	
2	3861575	1	• Electrical motor	
3	3861577	1	• Connector	
4	3861578	1	• O-ring	
5	3861574	4	• Screw	
6		1	• Valve body	not sold separately
7	3861570	1	• Reservoir	
8	3861572	1	• • Cardboard tube	
9	3861573	1	• • O-ring	
10	3858083	1	• Bracket	
11	971017	2	• Hexagon screw	
12	3853825	2	Hydraulic hose	
13	3852165	4	O-ring	
14	3855709	1	Wiring harness, trim	5m
	3855708	1	Wiring harness, trim	7m
15	3855712	1	Wiring harness, trim	Y
16	3855710	1	Wiring harness, trim	3m
	3855711	1	Wiring harness, trim	5m