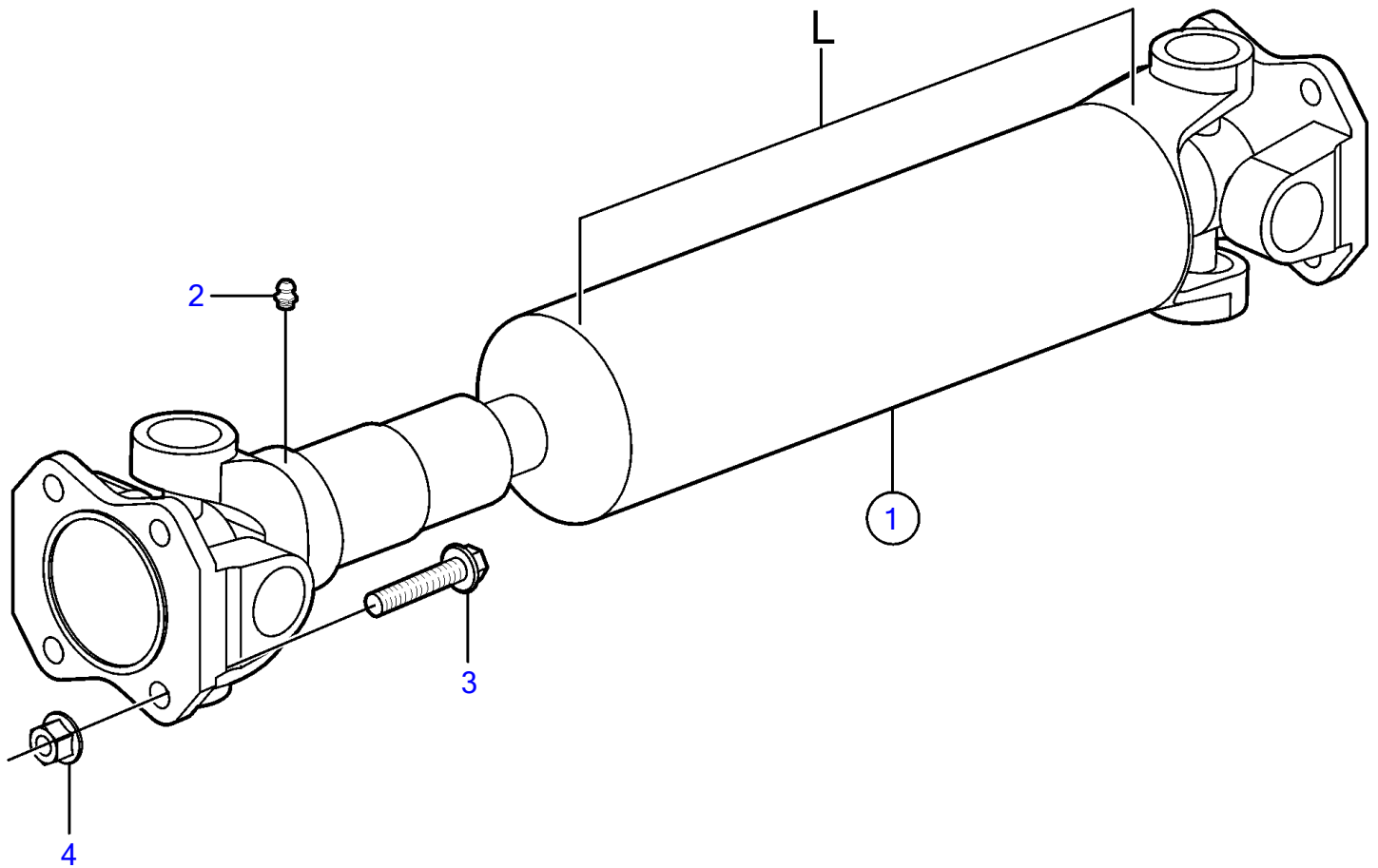


SX-M, SX-MACLT, SX-MBAC, SX-MHP



20839

SX-M, SX-MACLT, SX-MBAC, SX-MHP

REF	PART NO.	QTY	DESCRIPTION	NOTES
1		1	Jack shaft	part not sold
2	3852121	1	• Fitting	
3	965185	8	Flange screw	
4	971098	8	Flange lock nut	