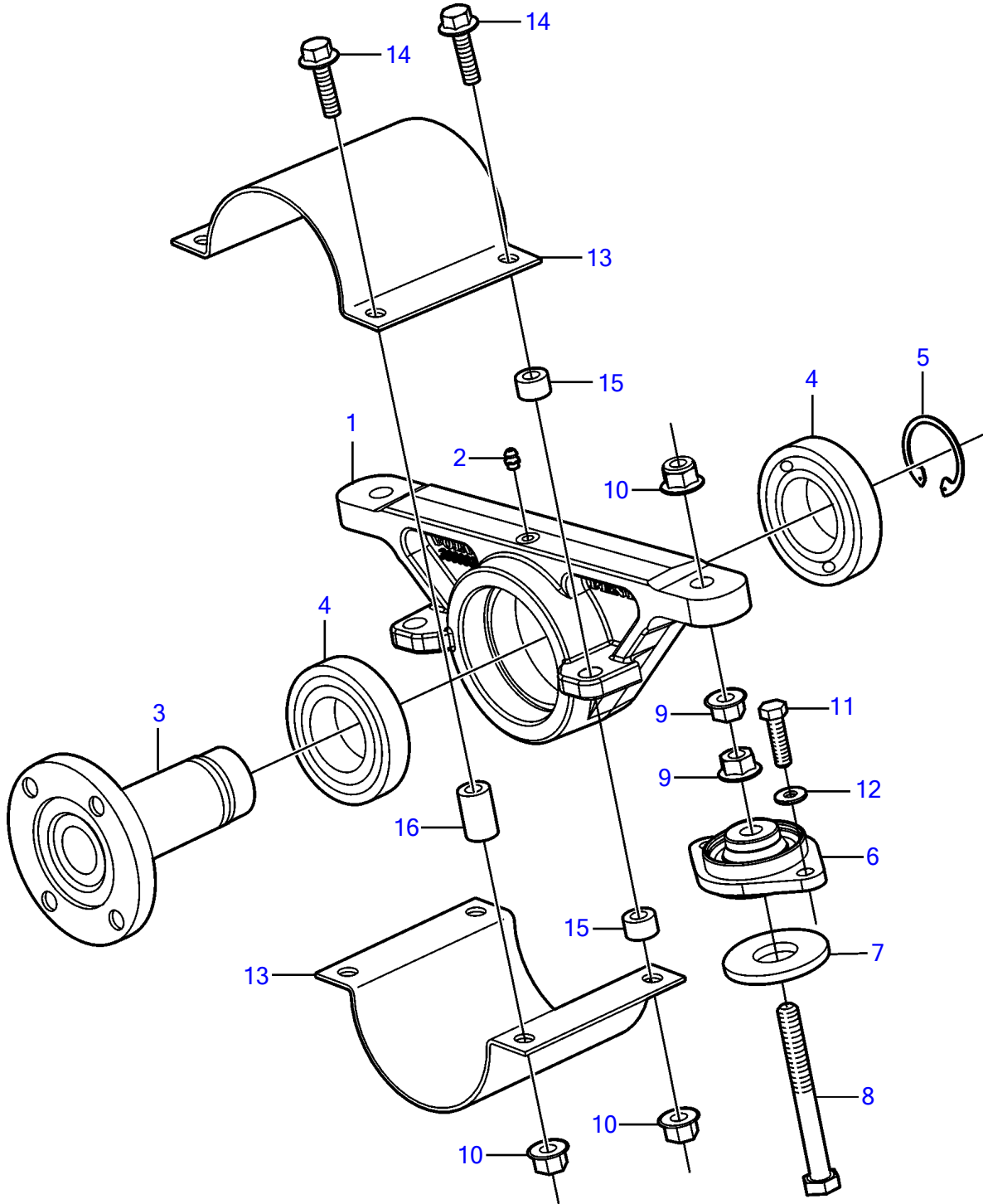


SX-M, SX-MACLT, SX-MBAC, SX-MHP



SX-M, SX-MACLT, SX-MBAC, SX-MHP

REF	PART NO.	QTY	DESCRIPTION	NOTES
1	3860837	1	Bearing housing	
2	3852121	1	Fitting	
3	3862697	1	Shaft	
4	184867	2	Bearing	
5	914470	1	Snap ring	
6	3853806	2	Rubber cushion	
7	3852542	2	Washer	
8	980362	2	Hexagon screw	
9	971096	4	Flange nut	
10	977938	6	Flange lock nut	
11	959968	4	Hexagon screw	
12	(3852155)	4	Washer	Obsolete part
13	3817552	2	Cover	
14	948039	4	Flange screw	
15	983740	4	Spacer sleeve	
16	(983741)	2	Spacer sleeve	Obsolete part