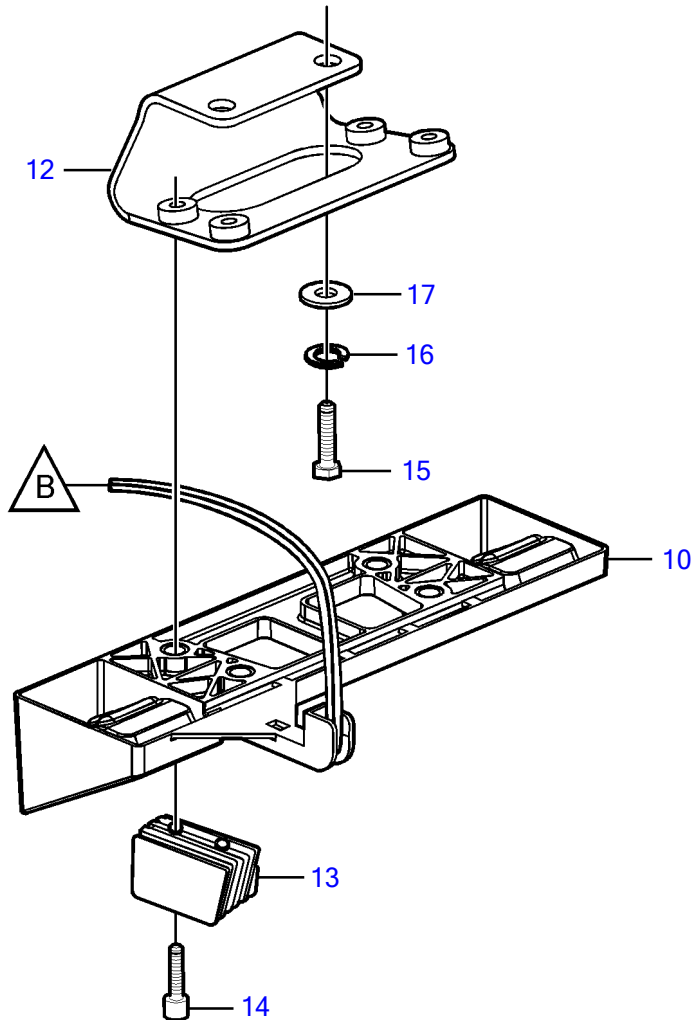
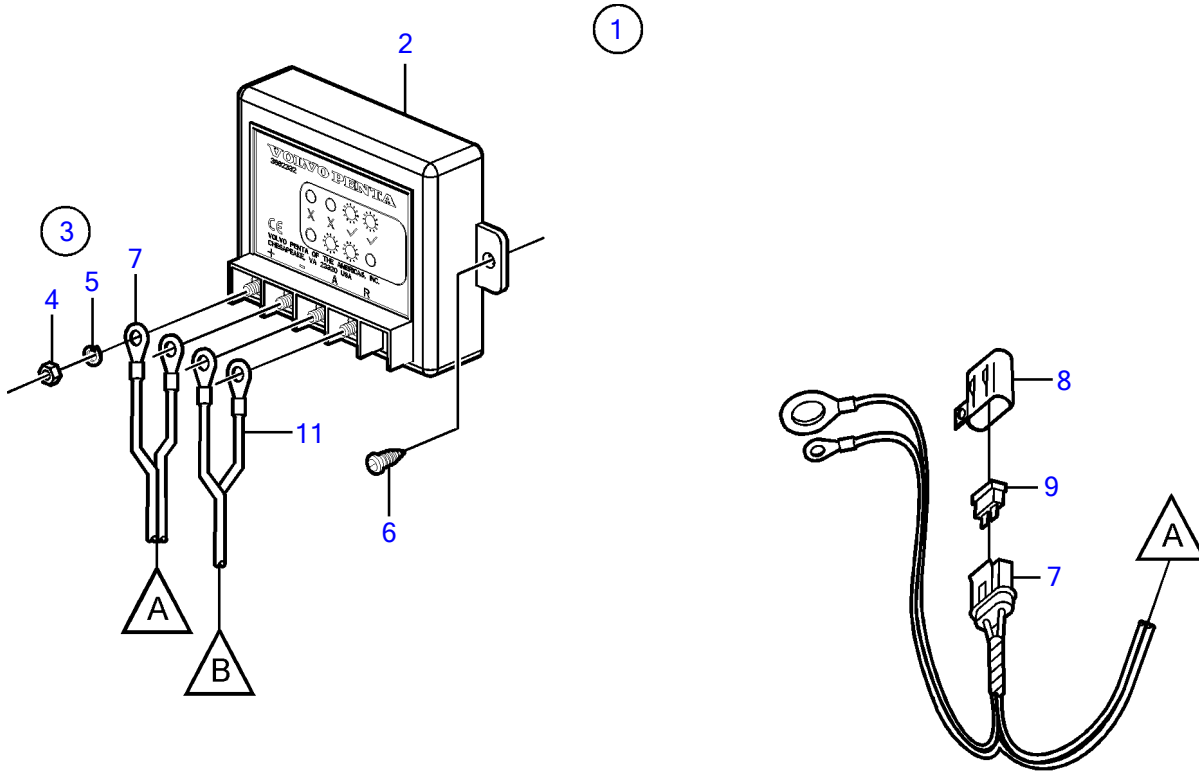


SX-M, SX-MACLT



## SX-M, SX-MACLT

REF	PART NO.	QTY	DESCRIPTION	NOTES
1	3862472	1	Kit	
2	3862332	1	• Electronic unit	
3	3856632	1	• Small parts kit	
4	940119	4	• • Hexagon nut	
5		4	• • Lock washer	
6		2	• • Screw	
7	3855793	1	• Wiring harness	
8	8072808	1	• Cover	
9	983966	1	• Fuse	1 amp
10	3862337	1	• Sensor	
11		1	• Wire	
12	3863309	1	• Bracket	
13	873395	2	• Zinc electrode	
14	959422	4	• Hex. socket screw	
15	3852192	2	Hexagon screw	
16	3852061	2	Washer	
17	(3852191)	2	Washer	Obsolete part