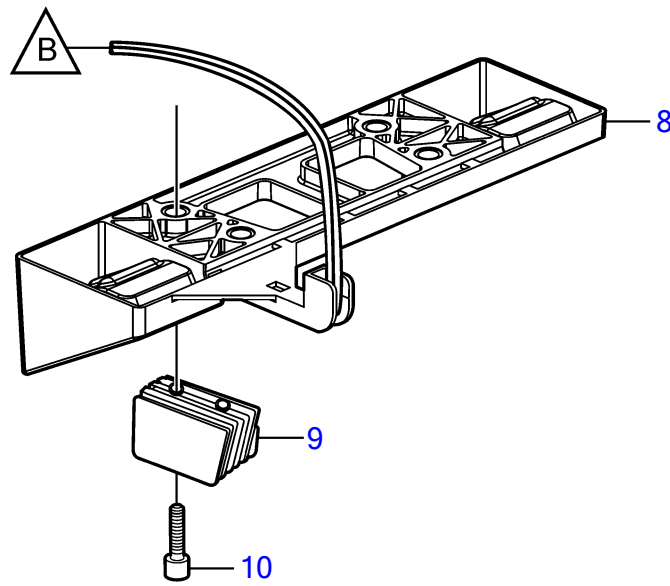
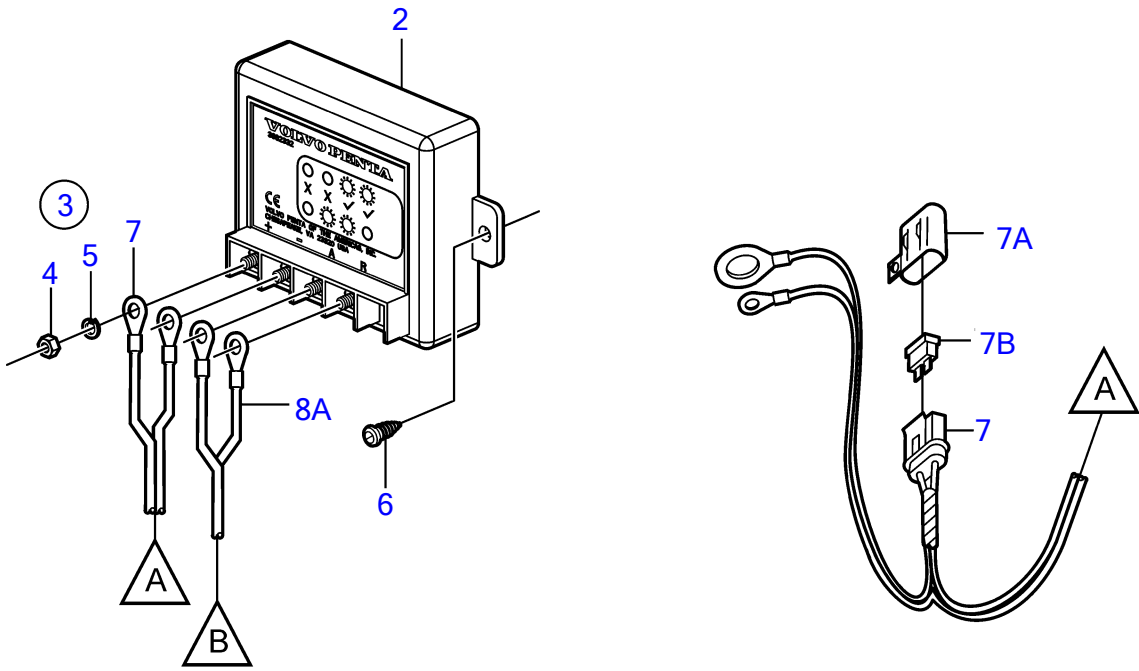


1



SX-MHP

REF	PART NO.	QTY	DESCRIPTION	NOTES
1	3862471	1	Kit	
2	3862332	1	• Electronic unit	
3	3856632	1	• Small parts kit	
4	940119	4	• • Hexagon nut	
5		4	• • Lock washer	
6		2	• • Screw	
7	3855793	1	• Wiring harness	
7A	8072808	1	• • Cover	
7B	983966	1	• • Fuse	1 amp
8	3862337	1	• Sensor	
8A		1	• • Wire	
9	873395	2	Zinc electrode	
10	959422	4	Hex. socket screw	