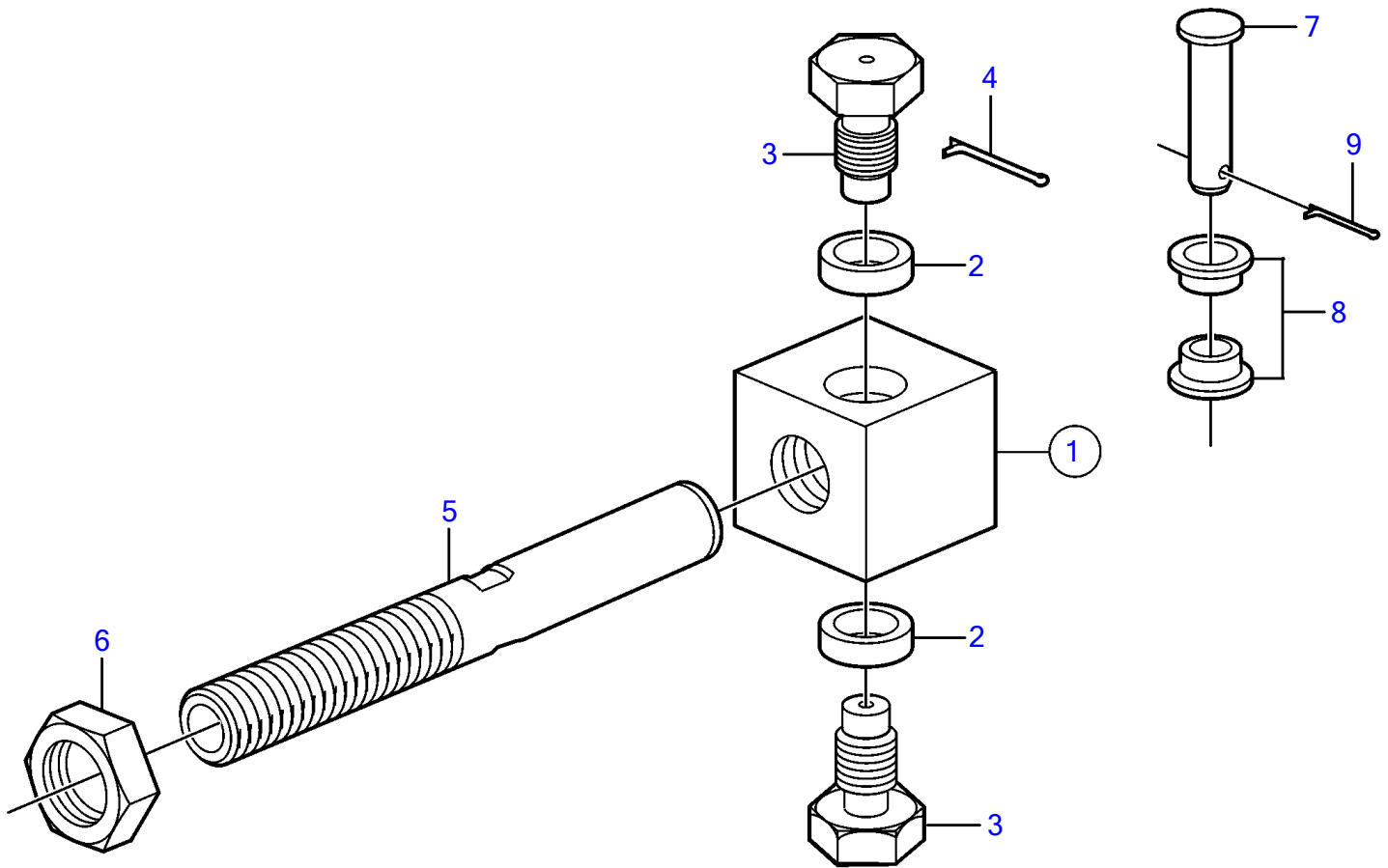


SX-C, SX-C1, SX-C2, SX-R, SX-C1AC, SX-C2AC, SX-R1, SX-R2, SX-CLT, SX-CLT1



19081

SX-C, SX-C1, SX-C2, SX-R, SX-C1AC, SX-C2AC, SX-R1, SX-R2, SX-CLT, SX-CLT1

| REF | PART NO. | QTY | DESCRIPTION | NOTES |
|-----|-----------|-----|-------------|---------------|
| 1 | (3853808) | 1 | Anchorage | Obsolete part |
| 2 | 3852582 | 2 | • Bushing | |
| 3 | 3850931 | 2 | Screw | |
| 4 | 3853376 | 2 | Split pin | |
| 5 | 3853449 | 1 | Tube | |
| 6 | 955861 | 1 | Hexagon nut | |
| 7 | 3853258 | 1 | Clevis pin | |
| 8 | 3853263 | 2 | Bushing | |
| 9 | 3852255 | 1 | Split pin | |

7749307-64-5614

19081

Upd:2014-05-27