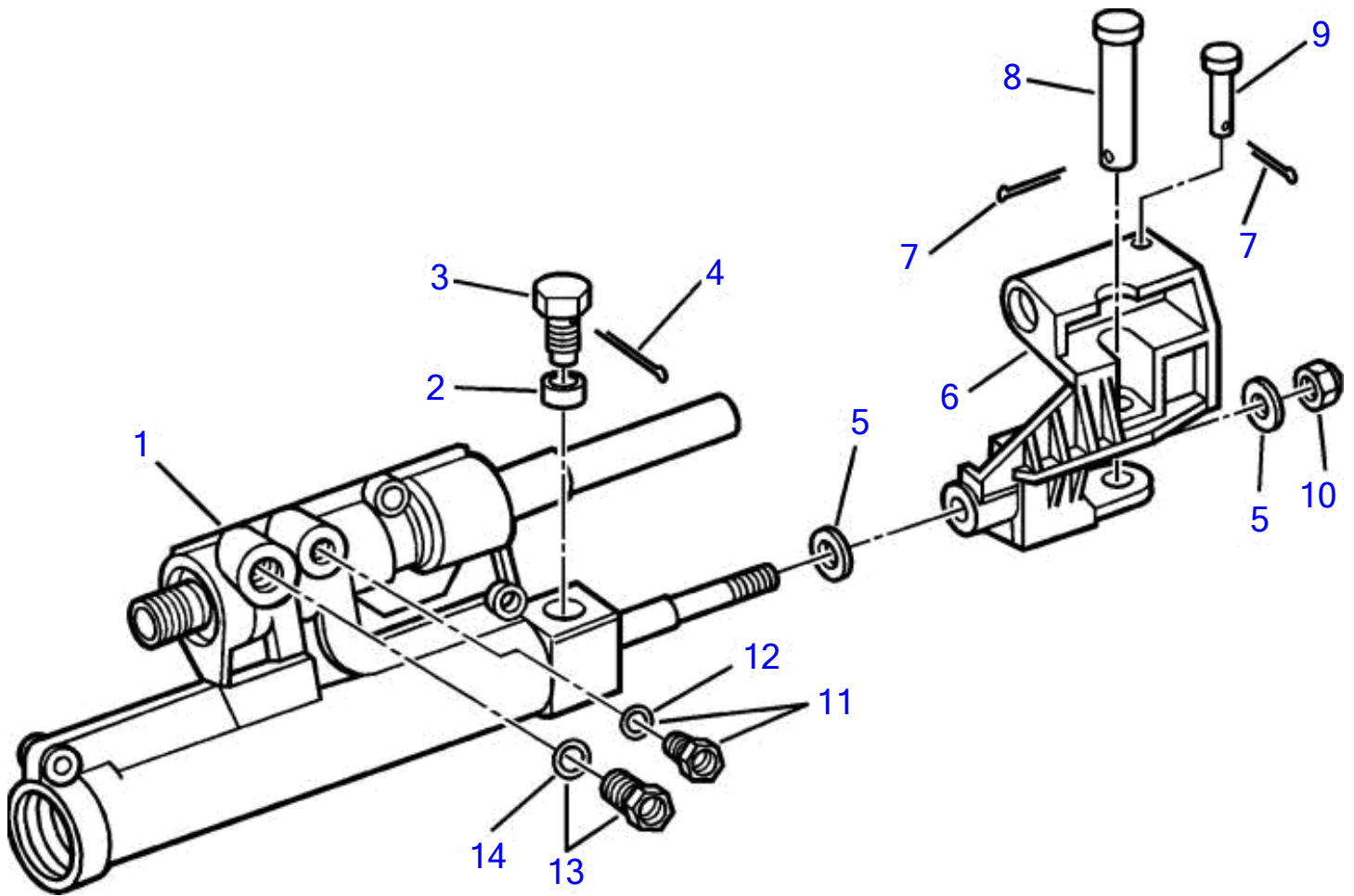


SX-C, SX-R, SX-CLT



SX-C, SX-R, SX-CLT

| REF | PART NO. | QTY | DESCRIPTION | NOTES |
|-----|-----------|-----|-----------------------------|---------------|
| 1 | 3854878 | 1 | Steering cylinder | SX-C, SX-CLT |
| | 3854879 | 1 | Steering cylinder | SX-R, Diesel |
| 2 | 3852582 | 2 | • Bushing | |
| 3 | 3850931 | 2 | • Screw | |
| 4 | 3853376 | 2 | • Split pin | |
| 5 | 3853305 | 2 | • Washer | |
| 6 | (3850251) | 1 | • Clevis | Obsolete part |
| 7 | 3852255 | 2 | • • Split pin | |
| 8 | 3853308 | 1 | • Clevis pin | |
| 9 | 3853307 | 1 | • Clevis pin | |
| 10 | 3853306 | 1 | • Nut retainer | |
| 11 | 3853393 | 1 | • Flange screw | |
| 12 | (3852587) | 1 | • • O-ring | Obsolete part |
| 13 | 3853994 | 1 | • Fitting | |
| 14 | 3852517 | 1 | • • O-ring, steering anchor | |

7749307-64-10358

12730

Upd:2014-05-27