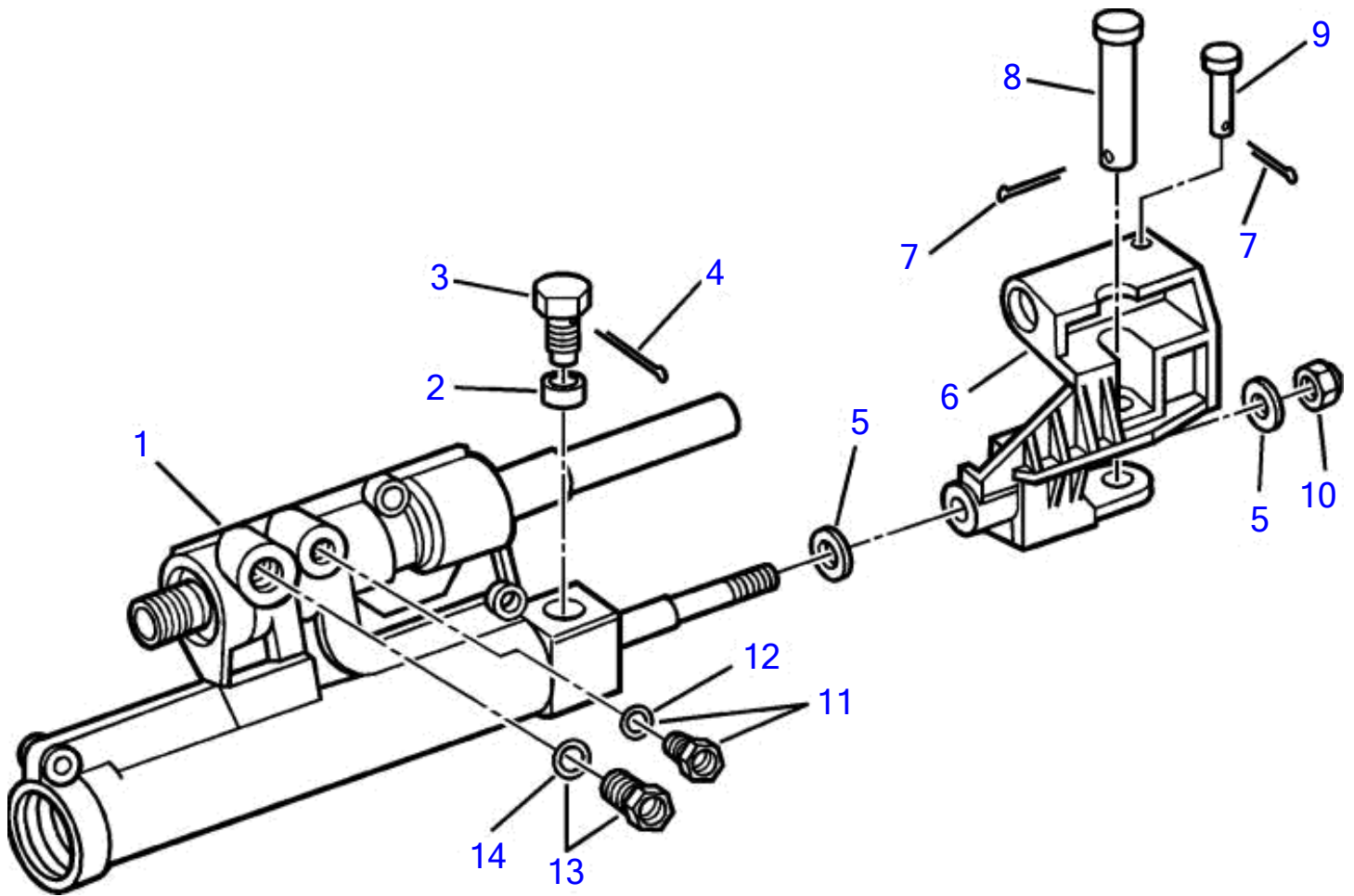


SX-C1, SX-C1AC, SX-R1, SX-CLT1



SX-C1, SX-C1AC, SX-R1, SX-CLT1

| REF | PART NO.  | QTY | DESCRIPTION       | NOTES         |
|-----|-----------|-----|-------------------|---------------|
| 1   | 3856710   | 1   | Steering cylinder | Gas           |
|     | 3856711   | 1   | Steering cylinder | Diesel        |
| 2   | 3852582   | 2   | • Bushing         |               |
| 3   | 3850931   | 2   | • Screw           |               |
| 4   | 3853376   | 2   | • Split pin       |               |
| 5   | 3853305   | 2   | • Washer          |               |
| 6   | (3850251) | 1   | • Clevis          | Obsolete part |
| 7   | 3852255   | 2   | • Split pin       |               |
| 8   | 3853308   | 1   | • Clevis pin      |               |
| 9   | 3853307   | 1   | • Clevis pin      |               |
| 10  | 3853306   | 1   | • Nut retainer    |               |
| 11  | 3853993   | 1   | • Fitting         |               |
| 12  | (3852587) | 1   | • • O-ring        | Obsolete part |
| 13  | 3853994   | 2   | • Fitting         |               |
| 14  | 3852517   | 2   | • • O-ring        |               |

7749307-64-10691

12730

Upd:2014-05-27