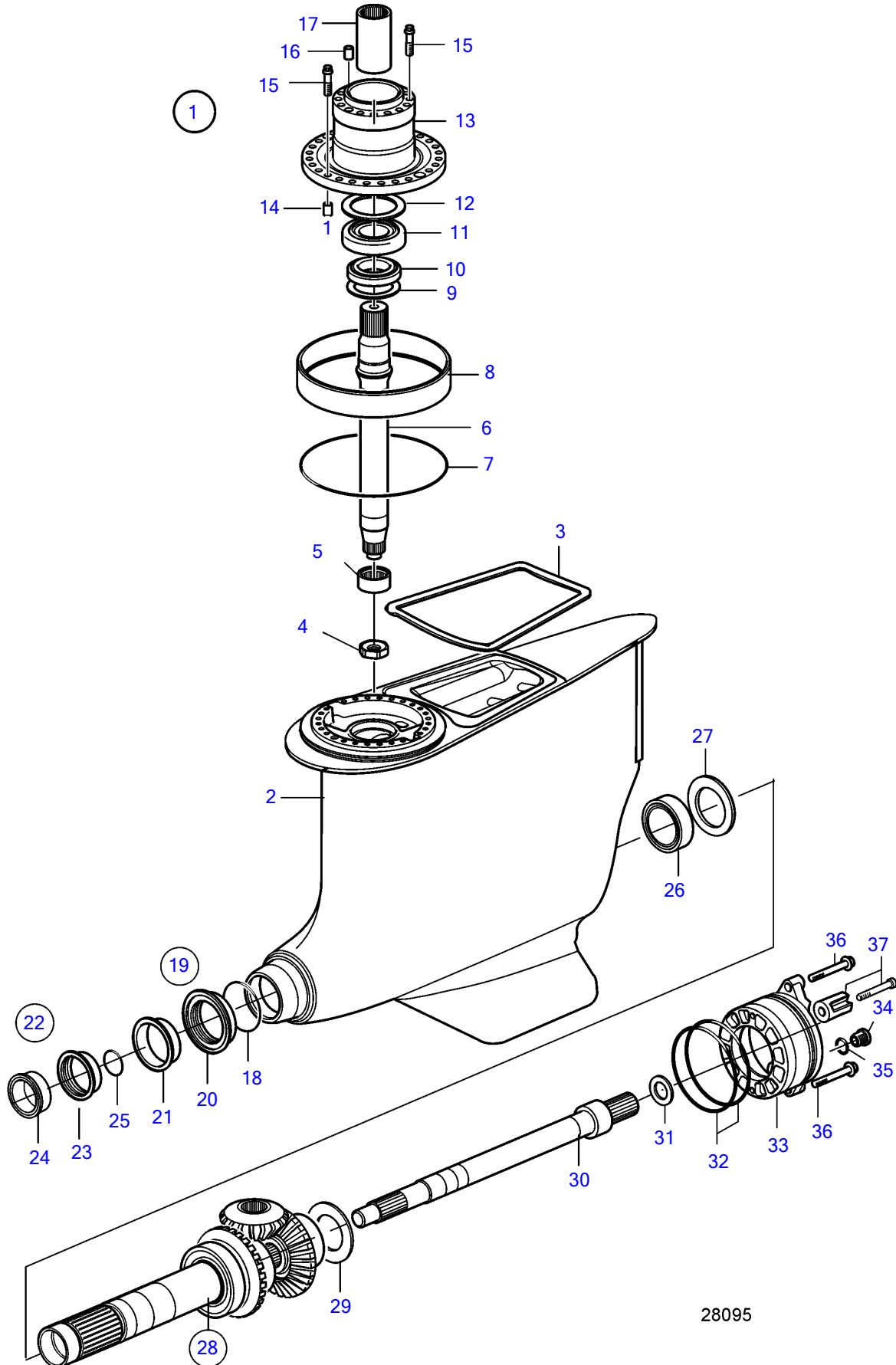


IPS3-A



IPS3-A

REF	PART NO.	QTY	DESCRIPTION	NOTES
1	3801549	1	Lower gear	Ratio 1.99:1
2		1	• Gear housing	
3	3840978	1	• Sealing ring	
4	3593739	1	• Nut	
5	184850	1	• Needle roller bushin	
6	(3593741)	1	• Shaft	Obsolete part
7	992376	1	• O-ring	
8	21965725	1	• Ring	
9	991097	X	• Shim	
	991098	X	• Shim	
	991099	X	• Shim	
10	991173	1	• Roller bearing	
11	184660	1	• Roller bearing	
12	991100	X	• Shim	TH=0,10mm
	991101	X	• Shim	TH=0.15mm
	991102	X	• Shim	TH=0.35mm
13	22006576	1	• Steering head	
14	3862569	1	• Guide sleeve	
15	3860364	46	• Screw	
16	3862569	1	• Guide sleeve	
17	21697729	1	• Splined sleeve	
18	949841	1	• O-ring	
19	21503664	1	• Sealing	
20		1	• • Sealing	
21		1	• • Sleeve	
22	21503662	1	• Sealing	
23		1	• • Sealing	
24		1	• • Sleeve	
25	967343	1	• O-ring	
26	993204	1	• Needle roller bearin	
27	(993258)	X	• Shim	Obsolete part
	993259	X	• Shim	TH=0.15mm
	993260	X	• Shim	TH=0.35mm
28	21975269	1	• Gear set	Ratio 1.99:1
29	991005	X	• Shim	TH=0,10mm
	991006	X	• Shim	TH=0.15mm
	991007	X	• Shim	TH=0.35mm
30	3593703	1	• Propeller shaft	
31	3840474	X	• Adjusting washer	2.85mm; as required
	3840475	X	• Adjusting washer	2.90mm; as required
	3840476	X	• Adjusting washer	3.00mm; as required
	3840477	X	• Adjusting washer	3.05mm; as required
	3848749	X	• Adjusting washer	3.15mm; as required
32	975252	2	• O-ring	
33	3818106	1	• Bearing carrier	
34	3847669	1	• Plug	
35	949656	1	• O-ring	
36	991609	2	• Flange screw	
37	3593981	1	• Anode kit, cast iron	