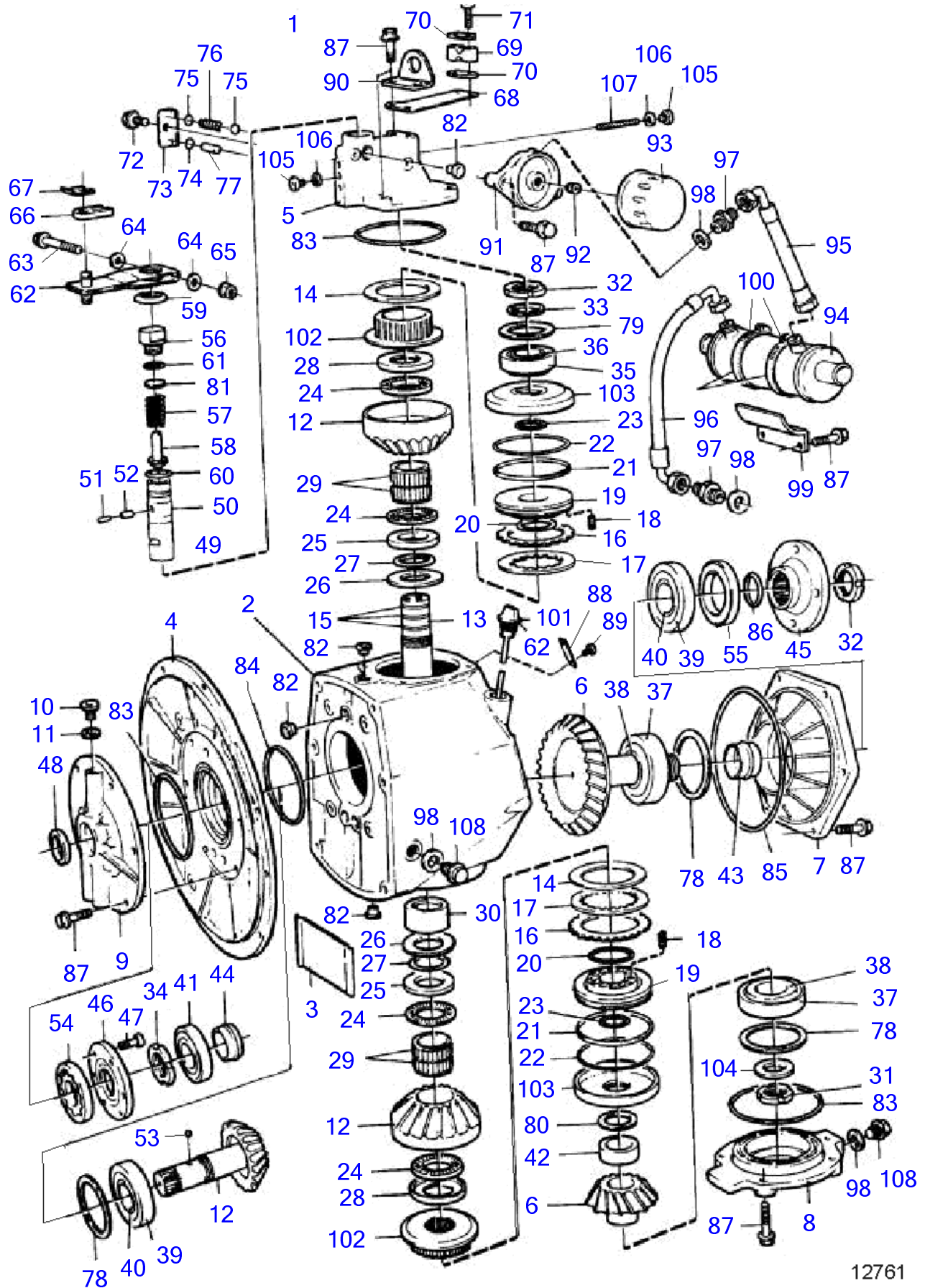


HS1A, 1.96, HS1A, 2.62



12761

HS1A, 1.96, HS1A, 2.62

REF	PART NO.	QTY	DESCRIPTION	SEE SEC.	NOTES
1	873171	1	Transmission, 1.96:1		
	3803501	1	Lower gear, exch, 1.96:1, exch		
	873172	1	Transmission, 2.62:1		
	3803508	1	Lower gear, exch, 2.62:1, exch		
2	(872500)	1	• Gear housing		Obsolete part
3	872574	1	• Shield		
4	872501	1	• Cardboard tube		
5	872725	1	• Valve housing		
6	872510	1	• Drive gear set, 1.96:1		
	872534	1	• Drive gear set, 2.62:1		
7	872505	1	• Bearing housing		
8	872506	1	• Bearing housing		
9	3851512	1	• Oil pump		
10	945065	3	• Plug		
11	969011	3	• Gasket		
12	872507	1	• Drive gear set		
13	872515	1	• Shaft		
14	872794	2	• Disc spring		
15		3	• Piston ring		Incl. in kit 876589
16		14	• Disc		Incl. in disc kit 876591-9
17		16	• Disc		Incl. in disc kit 876591-9
18	872580	26	• Spring		
19	872518	2	• Piston		
20	977891	2	• O-ring		Incl. in kit 876589
21		2	• Piston ring		Incl. in kit 876589
22		2	• O-ring		Incl. in kit 876589
23	872522	2	• Lock ring		
24	184175	4	• Needle roller assemb		
25	184239	2	• Raceway washer		
26	872581	2	• Spring washer		
27	956000	2	• O-ring		
28	872570	2	• Thrust washer		
29	184798	4	• Needle roller assemb		
30	872587	1	• Roller bearing		
31	969072	1	• Round nut		
32	969073	2	• Round nut		
33	872520	1	• Washer		
34	969074	1	• Round nut		
35	181304	1	• Cup		
36	181303	1	• Inner ring		
37	183403	2	• Cup		
38	183649	2	• Inner ring		
39	181036	2	• Cup		
40	184797	2	• Inner ring		
41	183232	1	• Roller bearing		
42	872521	1	• Spacer sleeve		
43	872568	1	• Pretensioning sleeve		
44	872569	1	• Pretensioning sleeve		
45	872523	1	• Flange		
46		1	• Cover		Included in 3851512
47	942001	6	• Hex. socket screw		
48	6842273	1	• Lip seal		
49	872889	1	• Valve		
50		1	• • Valve		
51		1	• • Sleeve		
52		1	• • Magnet		
53	192601	1	• Ball		
54		1	• Pump element tappet		Included in 3851512
55	872701	1	• Sealing ring		
56	872525	1	• Housing		
57	872585	1	• Spring		
58	(873519)	1	• Service kit		Obsolete part
59	872567	1	• Cardboard tube		

7749299-44-11270

12761

Upd:2013-08-28

HS1A, 1.96, HS1A, 2.62

VOLVO
PENTA

HS1A, 1.96, HS1A, 2.62

REF	PART NO.	QTY	DESCRIPTION	SEE SEC.	NOTES
60	977890	1	• O-ring		
61	925058	2	• O-ring		
62	872526	1	• Intermediate lever		
63	955252	1	• Hexagon screw		
64	940090	2	• Washer		
65	963104	1	• Lock nut		
66	872075	1	• Anchorage		
67	968631	1	• E-circlip		
68	872528	1	• Bracket		
69	872074	1	• Retainer		
70	872076	2	• Washer		
71	956083	2	• Cross recessed screw		
72	965175	1	• Flange screw		
73	872529	1	• Cardboard tube		
74	955983	2	• O-ring		
75	183801	1	• Ball		
76	872586	1	• Spring		
77	184796	1	• Needle roller		
78	977913		• Shim, 0.10 mm		As required
	977914		• Shim, 0.15 mm		As required
	977915		• Shim, 0.35 mm		As required
79	977910		• Shim, 0.10 mm		As required
	977911		• Shim, 0.15 mm		As required
	977912		• Shim, 0.5 mm		As required
80	978912		• Shim, 0.30 mm		As required
	978913		• Shim, 0.40 mm		As required
	978914		• Shim, 0.45 mm		As required
	978915		• Shim, 0.50 mm		As required
	978916		• Shim, 0.55 mm		As required
	(977909)		• Shim, 0.35 mm		Obsolete part, As required
81	978917		• Shim, 0.50 mm		As required
82	422413	11	• Sealing ring		
83	925263	3	• O-ring		
84	925260	1	• O-ring		
85	948866	1	• O-ring		
86	925065	1	• O-ring		
87	947760	28	• Flange screw		
88		1	• Plate		
89	950885	2	• Drive screw		
90		1	• Lifting eye		
91	872605	1	• Bracket		
92	840274	1	• Nipple		
93	834337	1	• Oil filter		
			• Bulletin P-18-3-8	P-18-3-8-EN	Return/Scrap of Oil Filter
94	872626	1	• Oil cooler		
95	872637	1	• Hose		
96	872638	1	• Hose		
97	192639	2	• Nipple		
98	947624	4	• Gasket		
99	872615	1	• Bracket		
100	961674	2	• Hose clamp		
101	872538	1	• Dipstick		
102	872608	2	• Hub		
103	872611	2	• Cylinder		
104	978906	1	• Support washer		
105	977917	3	• Plug		
106	947620	3	• Gasket		
107	872577	1	• Oil strainer		
108	1381498	2	• Plug		