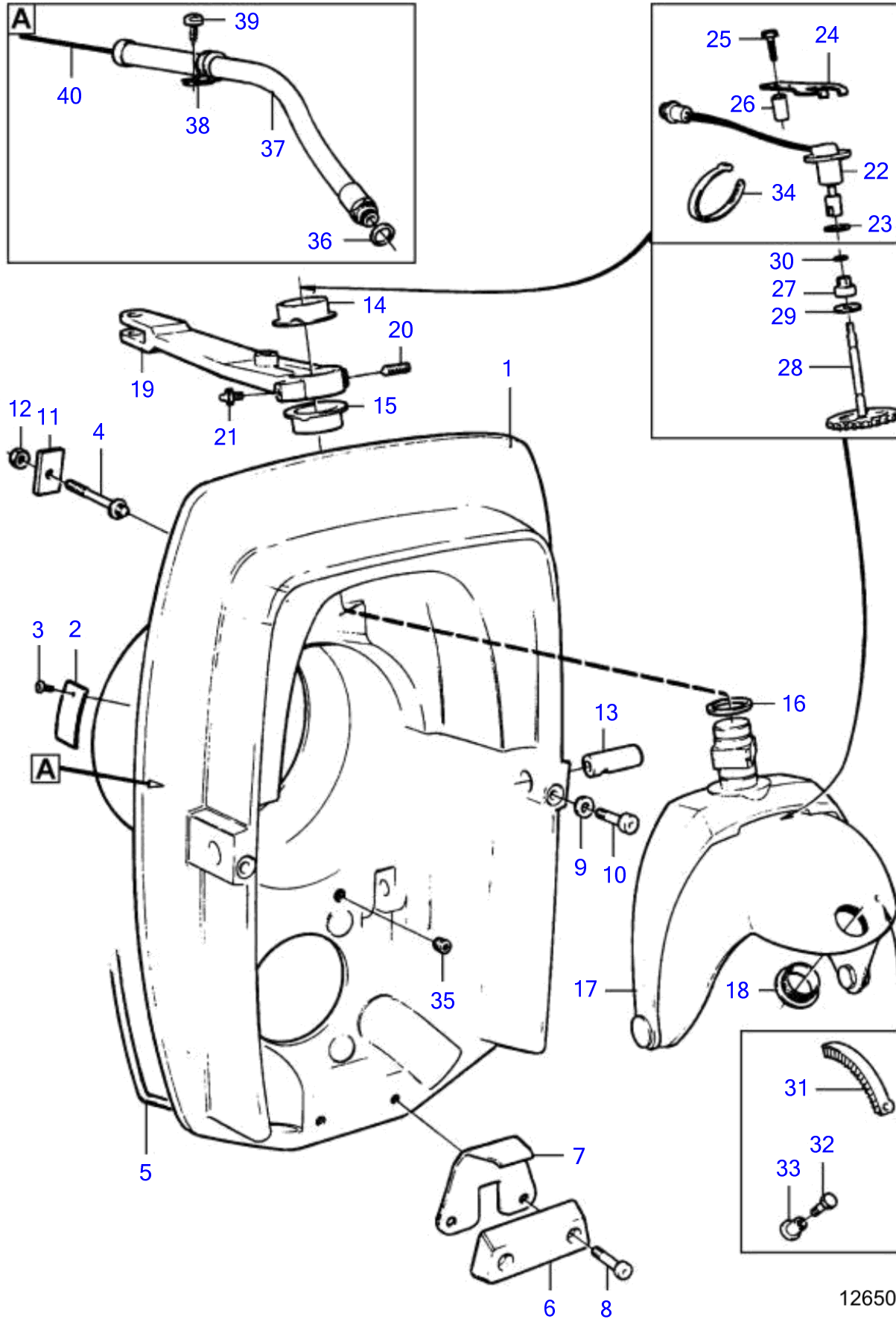


DP-S



DP-S

REF	PART NO.	QTY	DESCRIPTION	NOTES
1	876630	1	Shield	
2	853706	1	• Type plate	
3	804269	2	• Drive screw	
4	873316	6	Stud	
5	852868	1	Sealing strip, l=1750 mm	
6	852835	1	Zinc electrode	
7	(872963)	1	Support plate	Obsolete part
8	946541	2	Hex. socket screw	
9	941670	2	Washer	
10	963699	2	Hex. socket screw	
11	852866	6	Washer	
12	963108	6	Lock nut	
13	872493	2	Spindle	
14	854705	1	Bushing	
15	854704	1	Bushing	
16	977313	1	Sealing ring	
17	872845	1	Steering yoke	
18	853048	1	• Bushing	
19	872722	1	Spindle arm	
20	947904	1	Set screw	
21	914169	1	Lubricating nipple	
22	873531	1	Sensor	
23	955991	1	O-ring	
24	853039	1	Bracket	
25	955298	1	Hexagon screw	
26	872355	1	Spacer sleeve	
27	851430	1	Bushing	
28	852984	1	Driving wheel	
29	966207	1	Sealing ring	
30	925050	1	O-ring	
31	872812	1	Gear segment	
32	853759	1	Screw	
33	853760	1	Rivet nut	
34	948210	1	Cable tie	
35	853215	2	Plug	
36	897745	1	Gasket	
37	839091	1	Protecting hose	
38	952635	1	Clamp	
39	955512	1	Hexagon screw	
40		X	control cable	

7749309-44-10847

12650

Upd:2014-10-27

DP-C1, DP-D1, DP-S, DP-C1 1.95, DP-C1 2.30, DP-D1 1.68, DP-D1 1.78, DP-D1 1.95, DP-D1 2.30