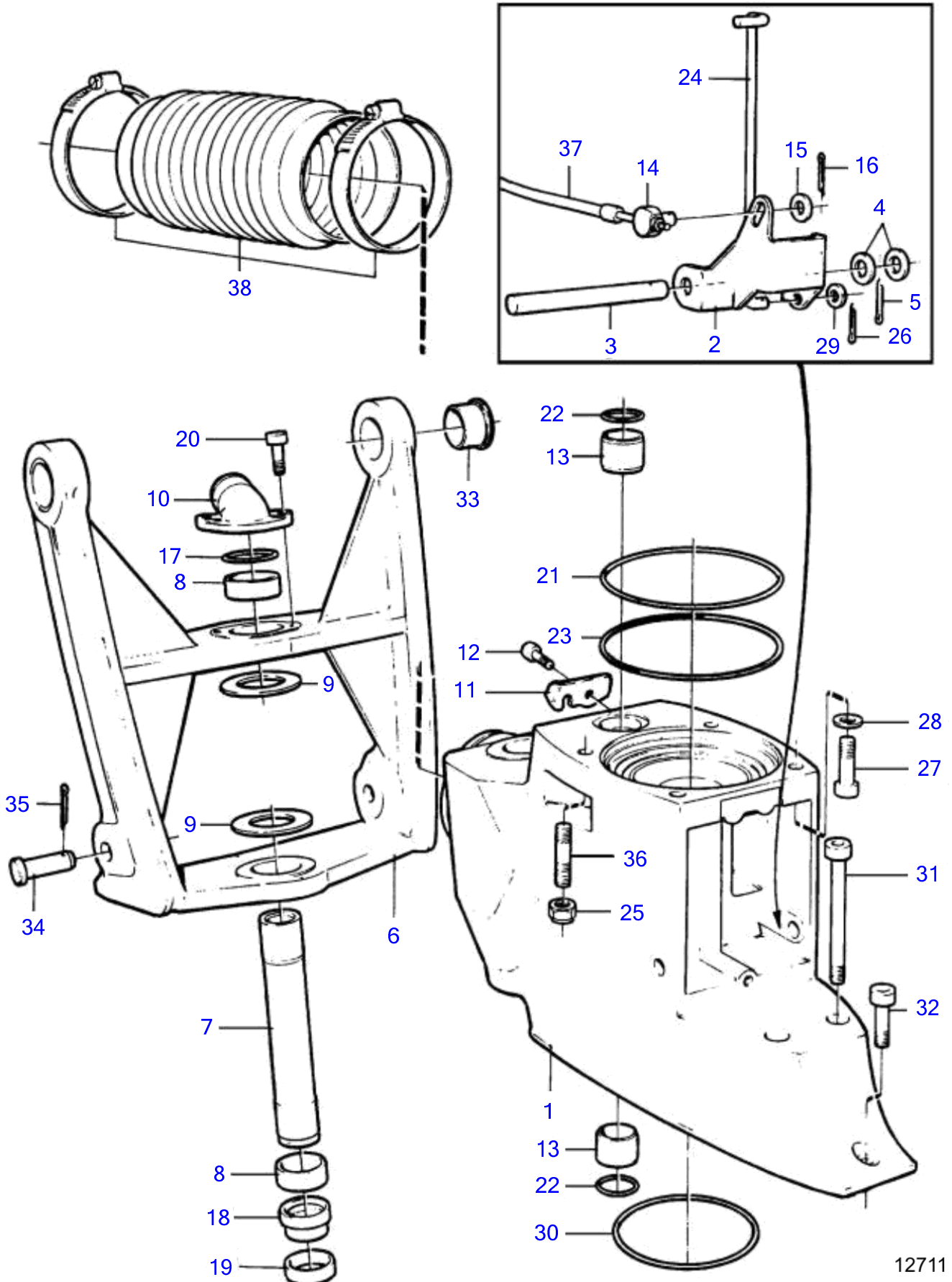


DP-D1 1.68, DP-D1 1.78, DP-D1 1.95, DP-D1 2.30



12711

DP-D1 1.68, DP-D1 1.78, DP-D1 1.95, DP-D1 2.30

REF	PART NO.	QTY	DESCRIPTION
1	872850	1	Intermediate housing
2	872977	1	• Yoke
3	897447	1	• Shaft
4	897511	2	• Washer
5	17253	1	• Split pin
6	872853	1	Fork
7	872753	1	Steering knuckle
8	872756	2	Bearing bushing
9	872754	2	Thrust washer
10	872752	1	Hose connection
11	872940	1	Cable attachment
12	940168	1	Hexagon screw
13	872986	2	Sleeve
14	804312	1	Cube
15	940191	1	Washer
16	17276	1	Split pin
17	979254	1	O-ring
18	873534	1	Retainer
19	872755	1	Sealing ring
20	940169	2	Hexagon screw
21	925259	1	O-ring
22	125017	2	O-ring
23	941826	1	Shim, 0.05 mm
	941827	1	Shim, 0.20 mm
	948230	1	Shim, 0.35 mm
24	872822	1	Control rod
25	941885	2	Lock nut
26	17253	1	Split pin
27	959456	2	Hex. socket screw
28	853095	2	Washer
29	940191	1	Washer
30	925256	1	O-ring
31	941808	2	Hex. socket screw
32	941809	1	Hex. socket screw
33	876507	1	Bushing kit
34	872126	2	Clevis pin
35	967707	2	Split pin
36	977241	2	Stud
37		X	control cable
38	876631	1	Bellows kit