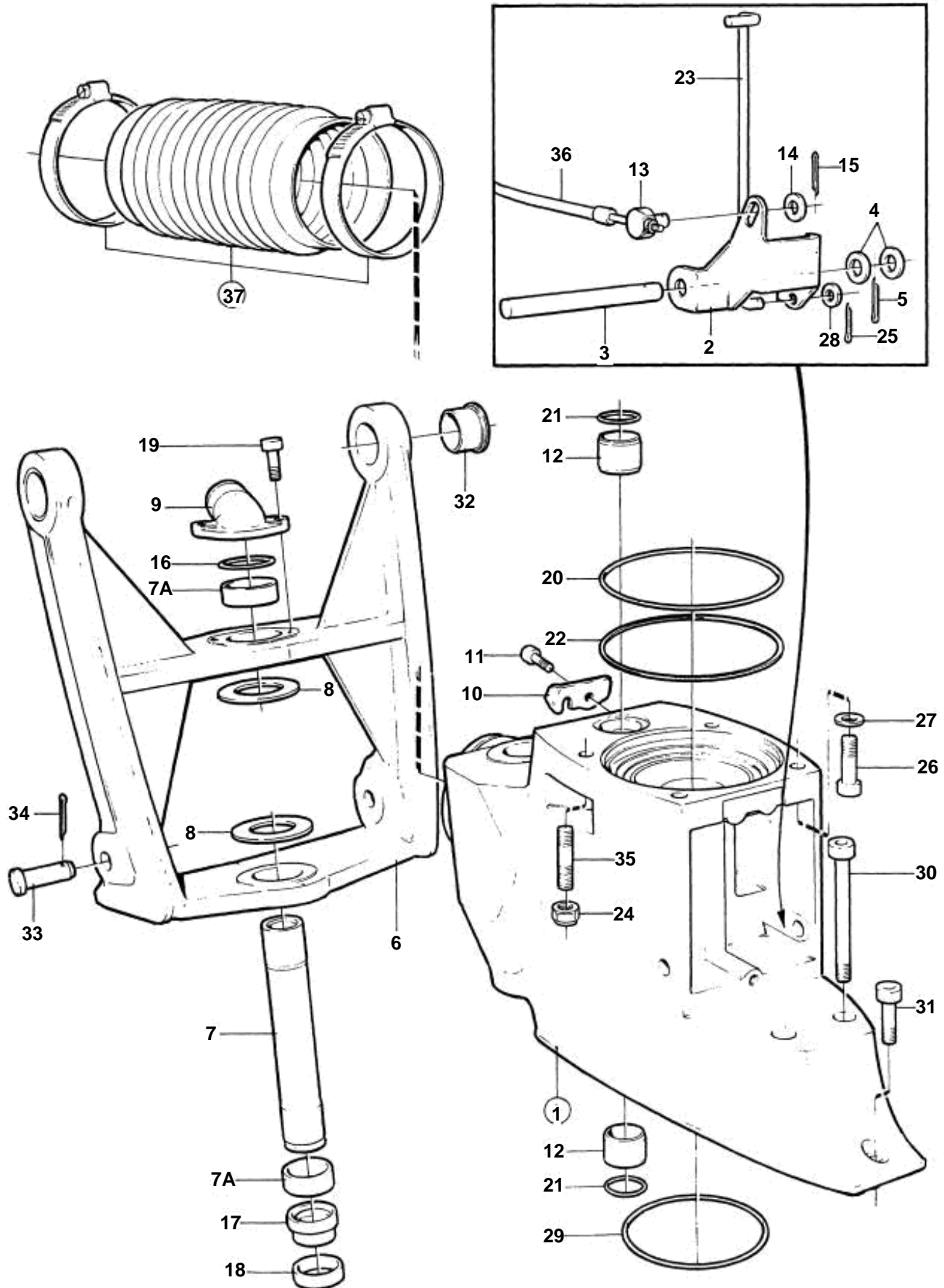


DP - INTERMEDIATE HOUSING



DP - INTERMEDIATE HOUSING

| REF | PART NO. | QTY | DESCRIPTION | NOTES |
|-----|----------|-----|--------------------------|------------------------------|
| 1 | 872850 | 1 | Intermediate housing | |
| 2 | 872977 | 1 | • Gear yoke | |
| 3 | 897447 | 1 | • Shaft | |
| 4 | 897511 | 2 | • Washer | |
| 5 | 17253 | 1 | • Cotter pin | |
| 6 | 872853 | 1 | Suspension fork | |
| 7 | 872753 | 1 | Steering knuckle | |
| 7a | 872756 | 2 | Bearing bushing | |
| 8 | 872754 | 2 | Thrust washer | |
| 9 | 872752 | 1 | Hose connection | |
| 10 | 872940 | 1 | Cable attachment | |
| 11 | 940168 | 1 | Screw | |
| 12 | 872986 | 2 | Sleeve | |
| 13 | 804312 | 1 | Cube | |
| 14 | 940191 | 1 | Washer | |
| 15 | 17276 | 1 | Cotter pin | |
| 16 | 979254 | 1 | O-ring | |
| 17 | 872792 | 1 | Retainer | |
| 18 | 872755 | 1 | Seal | |
| 19 | 940169 | 2 | Screw | |
| 20 | 925259 | | O-ring | |
| 21 | 125017 | 2 | O-ring | |
| 22 | 941826 | X | Adjusting washer, 05 mm) | |
| | 941827 | X | Adjusting washer, 20 mm) | |
| | 948230 | X | Shim, 35 mm) | |
| 23 | 872822 | 1 | Control rod | |
| 24 | 941885 | 2 | Nut | |
| 25 | 17253 | 1 | Cotter pin | |
| 26 | 959456 | 2 | Allen head screw | |
| 27 | 853095 | 2 | Washer | |
| 28 | 940191 | 1 | Washer | |
| 29 | 925256 | 1 | O-ring | |
| 30 | 941808 | 2 | Screw | |
| 31 | 941809 | 1 | Screw | |
| 32 | 876507 | 1 | Bushing kit | |
| 33 | 872126 | 2 | Clevis pin | |
| 34 | 967707 | 2 | Cotter pin | |
| 35 | | 2 | STUD | Included in upper gear unit. |
| 36 | | X | CONTROL CABLE | |
| 37 | 876631 | 1 | Bellows kit | |