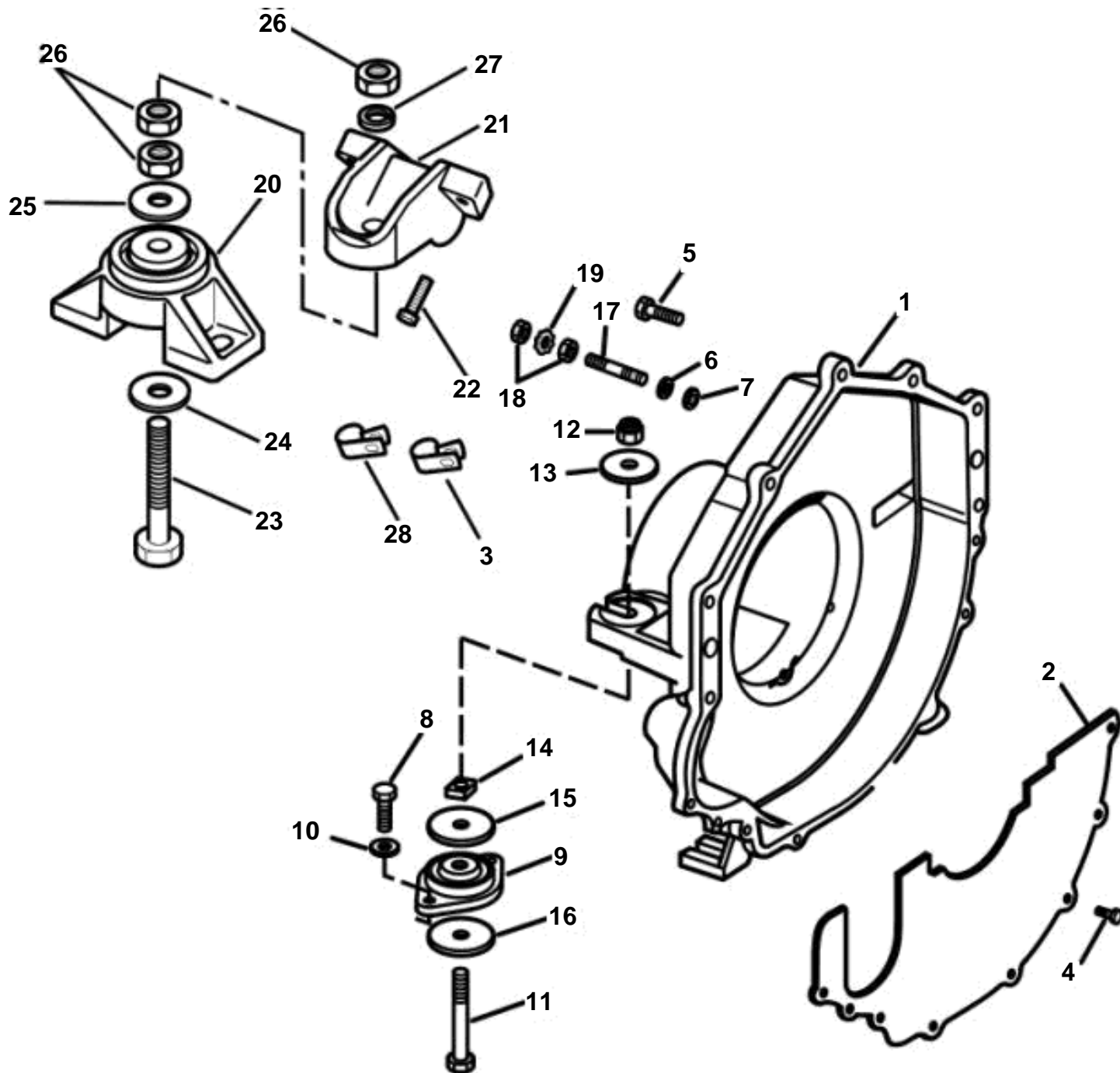


# FLYWHEEL HOUSING AND MOUNTS



# FLYWHEEL HOUSING AND MOUNTS

REF	PART NO.	QTY	DESCRIPTION	NOTES
1	3857846	1	Flywheel housing	
2	3854604	1	Cover	
3	3853312	1	Clamp, Hose to mount	Stbd
4	3852421	7	Screw, Flywheel cover	
5	968233	1	Screw, Flywheel hsg to engine	Port
	946472	5	Screw, Flywheel hsg to engine	GL
6	3852046	2	Washer, Ground stud, flywheel hsg	
7	944633	2	Washer, Ground stud, flywheel hsg	
8	959968	4	Screw, Rear mount to transom plate	
9	3853972	2	Rubber cushion, Transom plate	
10	3852155	4	Washer, Rear mount to transom plate	
11	3856441	2	Bolt, Rear mount	
12	3850929	2	Nut, Rear mount	
13	3852540	2	Washer, Rear mount to flywheel hsg	
14	3852539	2	Nut, Rear mount	
15	3852622	2	Washer, Rear mount	
16	3852542	2	Washer, Rear mount	
17	3857937	2	Stud, Flywheel housing to engine	Ground
18	971071	4	Nut, Terminal to ground stud, flywheel hsg	
19	3852046	2	Washer, Ground stud, flywheel hsg	Starboard
20	3853805	2	Rubber cushion, Engine front	Port & starboard
21	3857844	2	Bracket, Front, port & starboard	
22	946472	6	Screw, Front mount bracket to engine	
23	3852566	2	Screw, Front mount	Front
24	3852428	2	Washer, Front mount	Lower
25	3852433	2	Washer, Front mount	Upper
26	3852021	6	Nut, Bolt, mount bracket	Front
27	3852090	2	Lock washer, Bolt, front mount, engine	
28	3852146	1	Clamp, Starter leads to stbd bracket	