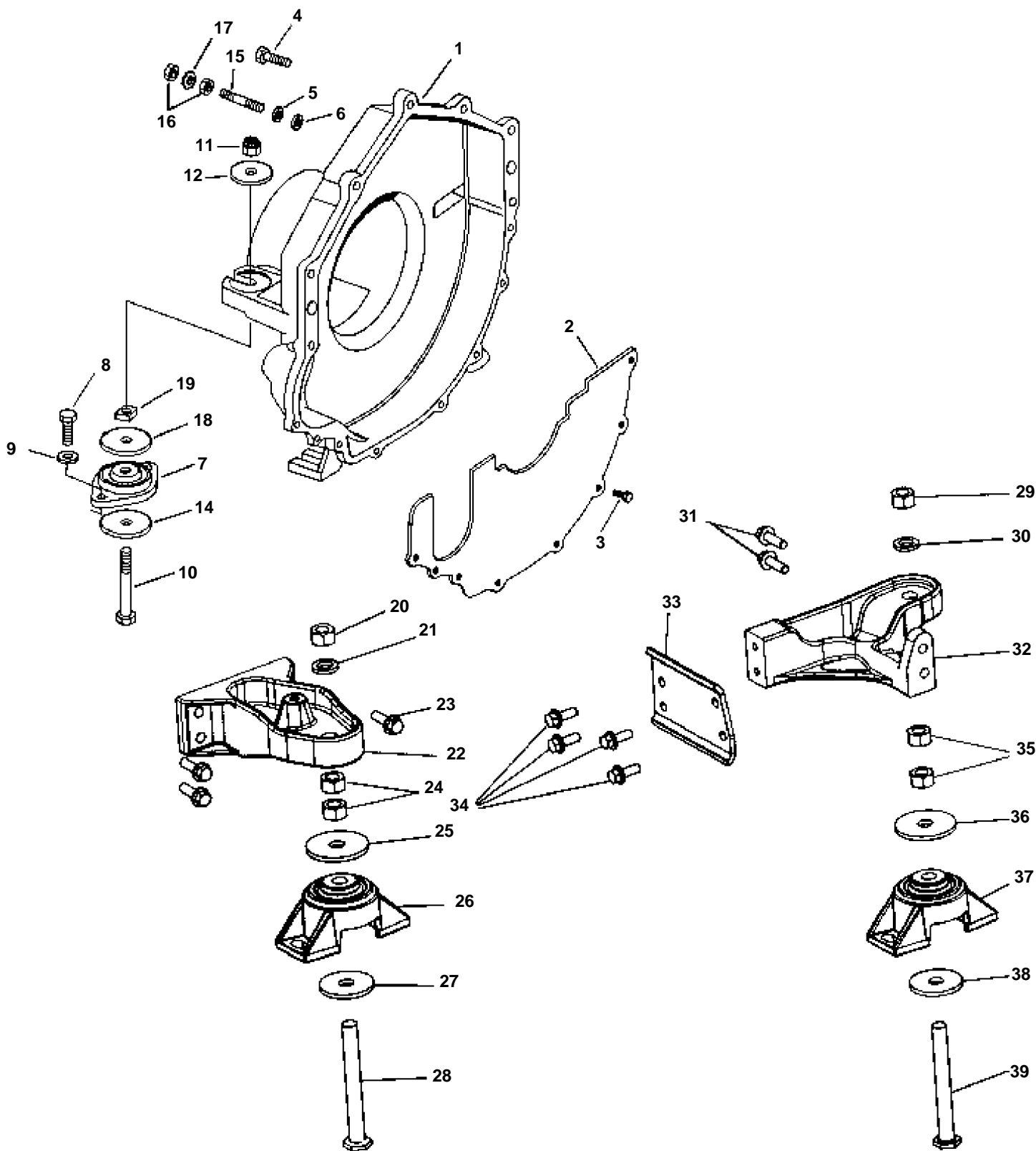


FLYWHEEL HOUSING AND MOUNTS



GR71964

FLYWHEEL HOUSING AND MOUNTS

REF	PART NO.	QTY	DESCRIPTION	NOTES
1	3857846	1	Flywheel housing	
2	3854604	1	Cover, Flywheel	
3	3852421	4	Screw, Flywheel cover to hsg	
4	3853326	4	Screw, Flywheel hsg to engine	
5	3852070	1	Washer, Ground stud, flywheel hsg	Starboard
6	3852058	1	Washer, Ground stud, flywheel hsg	
7	3853806	1	Rubber cushion	
8	959968	4	Screw, Rear mount to transom plate	
9	3852155	4	Washer, Rear mount to transom plate	
10	3850930	2	Screw, Rear mount	
11	3850929	2	Nut, Rear mount	
12	3852540	2	Washer, Rear mount to flywheel hsg	
13	3852539	2	Nut	
14	3852542	2	Washer	
15	3850571	1	Stud, Flywheel hsg to engine	Ground
16	3852065	2	Nut, Terminal to ground stud, flywheel hsg	
17	3852070	1	Washer, Ground stud, flywheel hsg	Starboard
18	3852622	2	Washer, Rear mount	
19	3852474	2	Screw, Mount to bracket	
20	3852021	1	Nut	
21	3852090	1	Lock washer	
22	3860088	1	Bracket	
23	3860582	3	Screw	
24	3852021	2	Nut	
25	3852433	1	Washer	
26	3853805	1	Rubber cushion	
27	3852428	1	Washer	
28	3852566	1	Screw	
29	3852021	1	Nut	
30	3852090	1	Lock washer	
31	3860582	2	Screw	
32	3860089	1	Bracket	
33	3860272	1	Bracket	
34	3860163	4	Screw	
35	3852021	2	Nut	
36	3852433	1	Washer	
37	3853805	1	Rubber cushion	
38	3852428	1	Washer	
39	3852566	1	Screw	