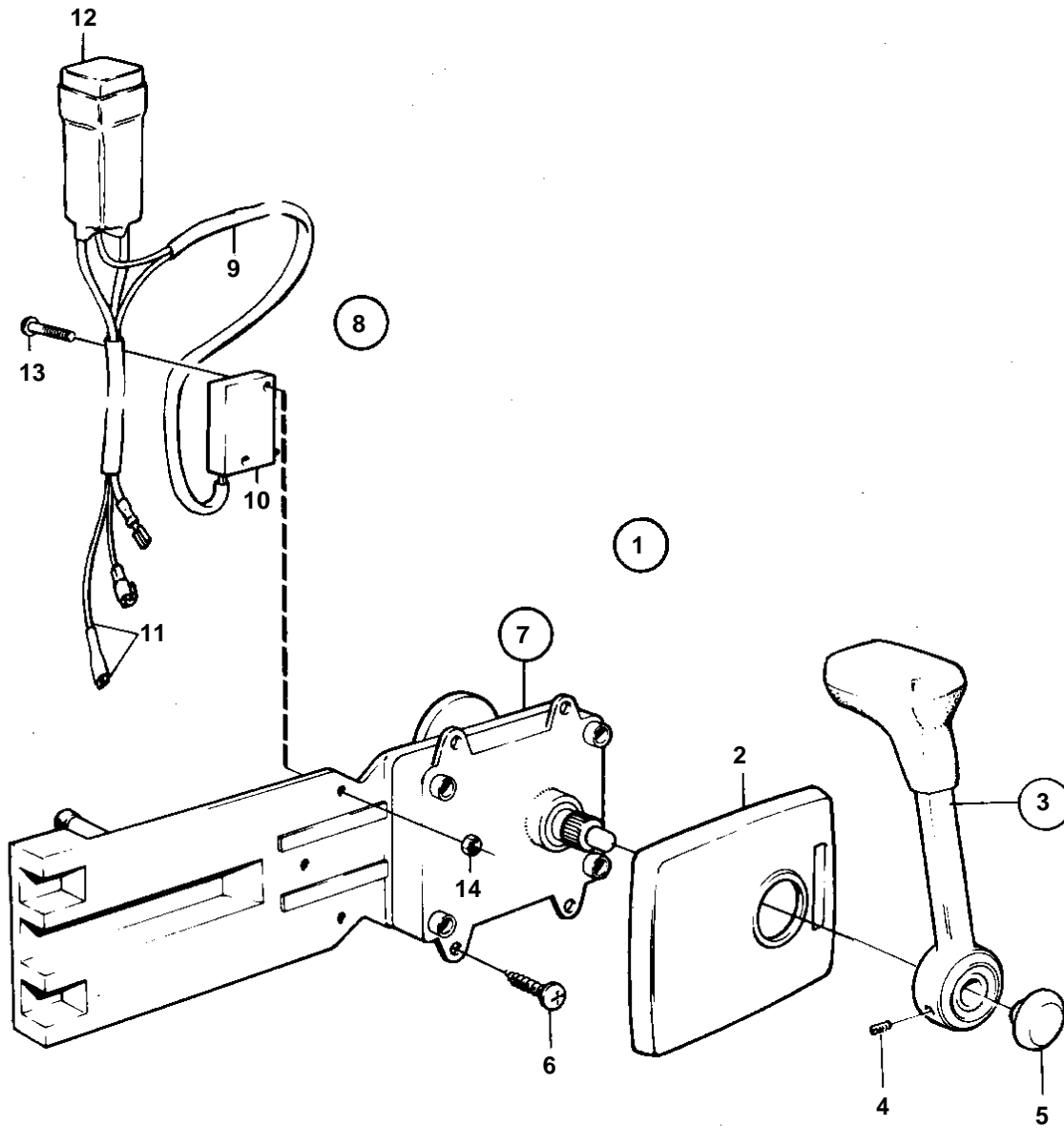


COMMON



7999

**COMMON**

REF	PART NO.	QTY	DESCRIPTION	SEE SEC.	NOTES
1	853102	1	Mounting kit		
2	839518	1	• Cover		
3	852348	1	• Lever		
				090-0270	
4	963678	1	• Screw		
5	853004	1	• Push button	IK	
6	955142	4	• Screw		
7	851601	1	Control		
				090-0280	
8	855352	1	Neutral posit contac		
9	839619	1	• Cable kit		
10	850200	1	• Switch		
11		X	• CABLES AND TERMINALS		SEE GROUP 3
12	1501832	1	• Relay		
13	946177	2	• Screw		
14	947536	2	Nut		