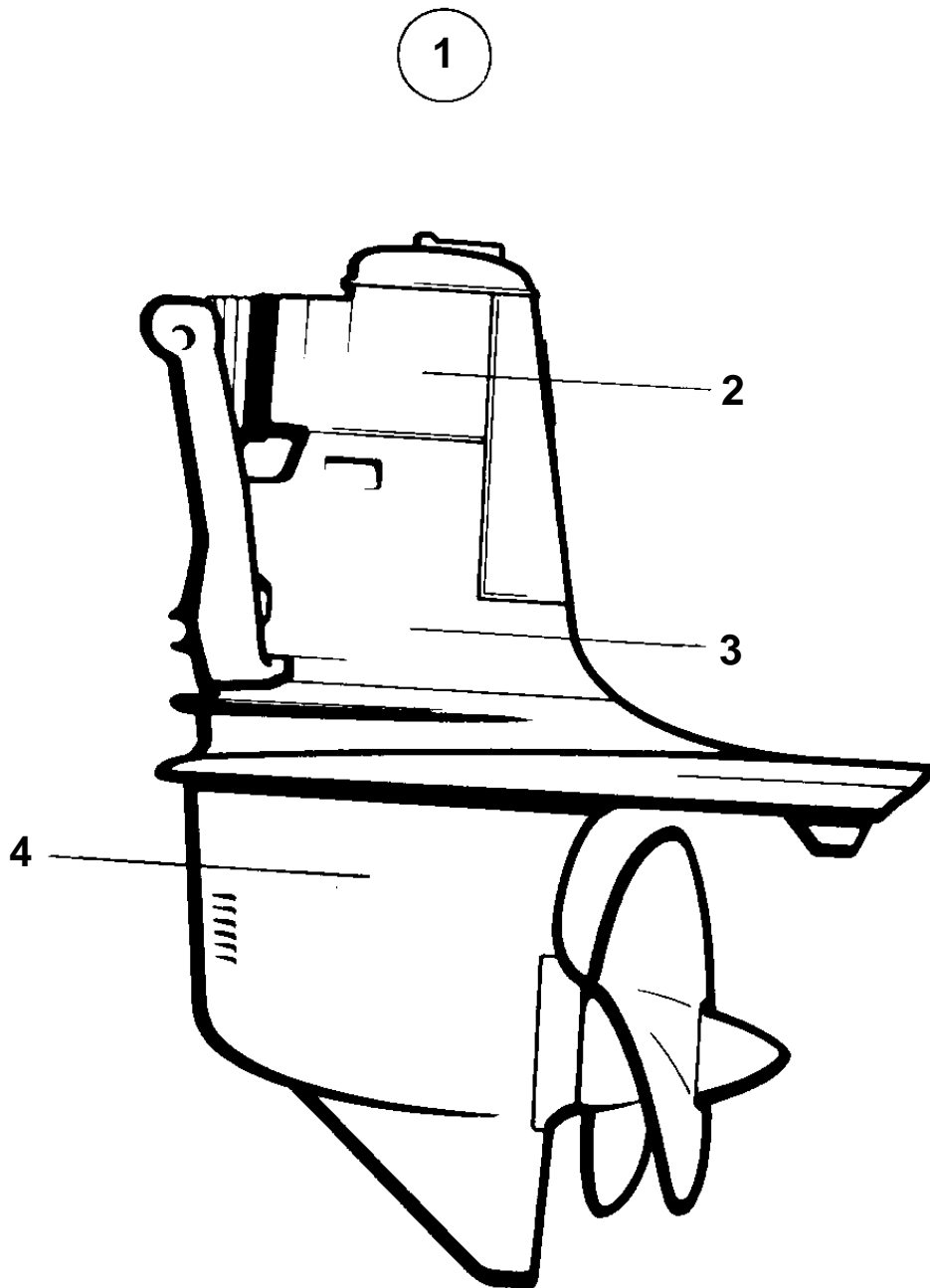


DRIVE 275,DRIVE 275A,DRIVE 280,DRIVE 280 L,DRIVE 290



3508

DRIVE 275,DRIVE 275A,DRIVE 280,DRIVE 280 L,DRIVE 290

REF	PART NO.	QTY	DESCRIPTION	SEE SEC.	NOTES
1	851400	1	Drive		RATIO 1,61:1. REPLACED BY 853450.
2		1	UPPER GEAR UNIT	04C-0225	
3		1	INTERM HOUSING	04C-0365	
4		1	LOWER GEAR UNIT	04C-0500	
	875192	1	Gasket kit		SEE GROUP 10