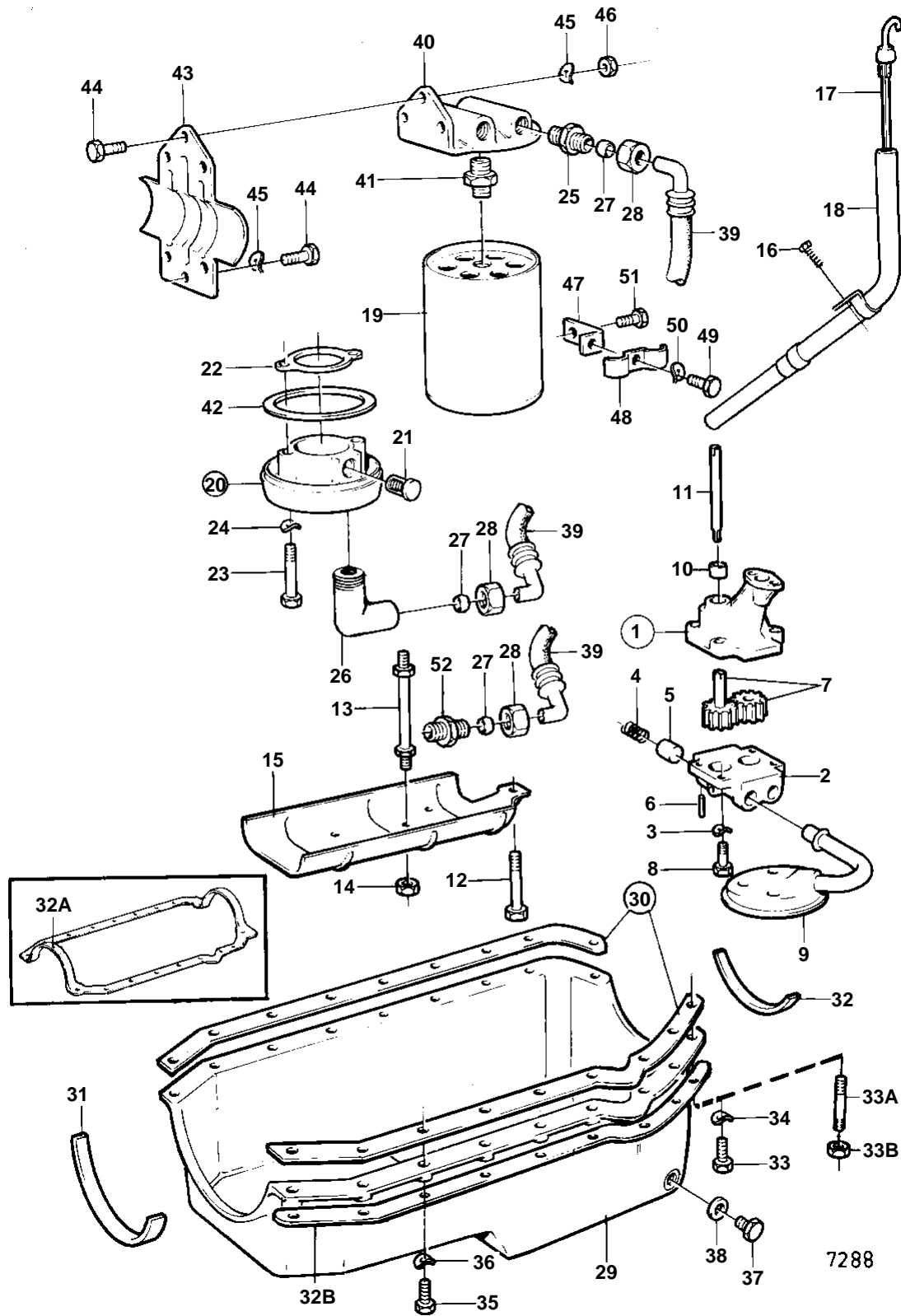


BB260B, BB260C



## BB260B, BB260C

REF	PART NO.	QTY	DESCRIPTION	SEE SEC.	NOTES
1	835371	1	Oil pump		
2	835362	1	· Cover		
3	941906	4	· Spring washer		
4	835377	1	· Spring		
5	835376	1	· Valve		
6	835378	1	· Lock pin		
7		2	· GEAR		
8	955513	4	· Screw		
9	835372	1	Oil pump screen		
10	835374	1	Sleeve		
11	835373	1	Shaft		
12	835082	1	Screw		
13	835038	5	Stud	02A-0275	
14	835368	5	Nut		
15	841734	1	Baffle plate		
16	955512	1	Screw		
17	835414	1	Oil dipstick		
18	841823	1	Tube		
19	835440	1	Oil filter		
			Bulletin P-21-7-1	P-21-7-1-EN	Oil Filters, GM gas engines
20	841339	1	Connector		
21		1	· VALVE		
22	856007	1	Gasket	IK	(841370)
23	955527	2	Screw		
24	941907	2	Spring washer		
25	941750	2	Nipple		
26	941757	2	Nipple		
27	956970	4	Ferrule		
28	956984	4	Nut		
29	855897	1	Oil pan		
31	834774	1	· Seal	IK	
32	835411	1	· Seal	IK	
32A	855819	1	Gasket		
32B	855817	1	Stiffening plate		RIGHT SIDE
	855818	1	Reinforcing plate		LEFT SIDE
33A	855808	4	Stud		
33B	855596	4	Nut		LATE TYPE. BB225B SPEC.867893 AND 867894, BB260B SPEC.867895 AND 867896
35	855821	14	Screw		
37	841215	1	Plug		
38	841952	1	Gasket	IK	(818688)
39	841360	2	Hose		
40	841363	1	Cover		
41	841174	1	Nipple		
42	948882	1	O-ring	IK	
43	841383	1	Bracket		SEE GROUP 2B
44	955524	6	Screw		
45	941907	6	Spring washer		
46	955826	3	Nut		
47	841687	1	Bracket		
48	942421	1	Clamp		
49	947224	1	Screw		

