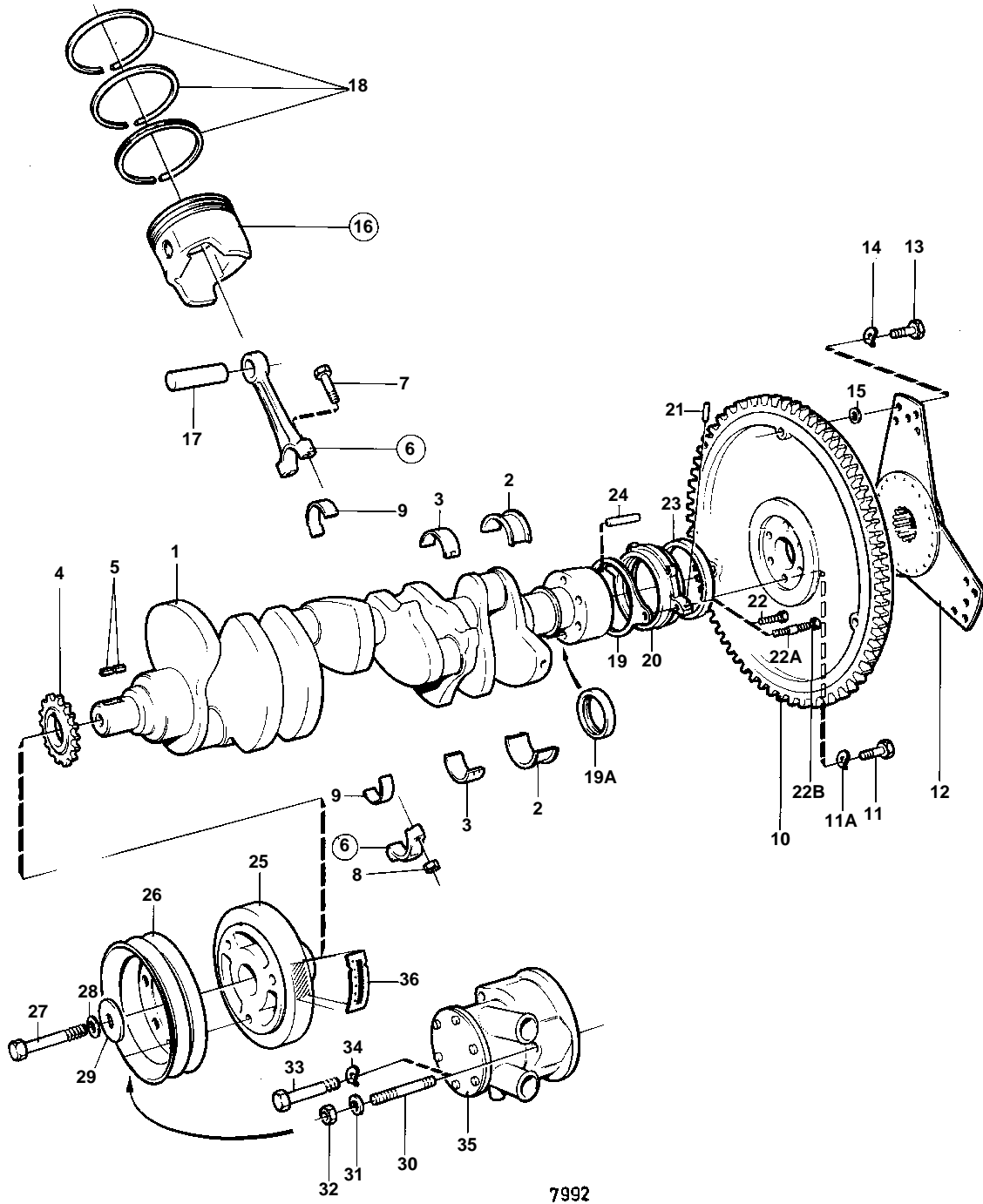


BB260B



BB260B

REF	PART NO.	QTY	DESCRIPTION	SEE SEC.	NOTES
1	826474	1	Crankshaft		
2	835052	1	Main bearing		STD. INCL.IN CYLINDERBLOCK.
	835055	1	Main bearing		UNDER SIZE 0,010"
	835065	1	Thrust bearing		UNDER SIZE 0,020"
3	835051	3	Main bearing		STD. INCL.IN CYLINDERBLOCK.
	835053	3	Main bearing		UNDER SIZE 0,010"
	835054	3	Main bearing		UNDER SIZE 0,020"
	841254	1	Main bearing, MAIN BEARING SHELL		STD. INCL.IN CYLINDERBLOCK.. FRONT MAIN BEARING. UPPER
	841255	1	Main bearing, MAIN BEARING SHELL		STD. INCL.IN CYLINDERBLOCK.. FRONT MAIN BEARING. LOWER
4		1	SPROCKET	02A-0475	
5	835059	2	Key		
6	841867	8	Connecting rod		
	841876	8	Connecting rod		SPEC. 867592
7	835066	16	· Screw		
8	835473	16	· Nut		
9	835273	8	Main bearing		STD
	835396	8	Bearing		UNDER SIZE 0,010"
	835070	8	Main bearing		UNDER SIZE 0,020"
10	841214	1	Flywheel		
11	835439	6	Screw		
11A	941909	6	Spring washer		
12	855656	1	Vibration damper		SPEC. 867592
	855656	1	Vibration damper		
13	835482	3	Screw		
14	942336	3	Spring washer		
16	826467	8	Piston		STD. INCL.IN CYLINDERBLOCK.
	826468	8	Piston		OVER SIZE 0,030"
17		8	· GUDGEON PIN		
18	856171	8	Piston ring kit		STD (826471). INCL.IN CYLINDERBLOCK.
	826472	8	Piston ring kit		OVER SIZE 0,030"
19A	841240	1	Seal	IK	
25	826477	1	Vibration damper		
26	835407	1	Pulley		
27	949518	1	Screw		
28	835410	1	Lock washer		
29	835409	1	Washer		
30	826500	3	Stud		EARLY TYPE
31	941907	3	Spring washer		EARLY TYPE
32	946149	3	Nut		EARLY TYPE
33	948324	3	Screw		LATE TYPE
34	942336	3	Spring washer		LATE TYPE
36	834842	1	Decal		