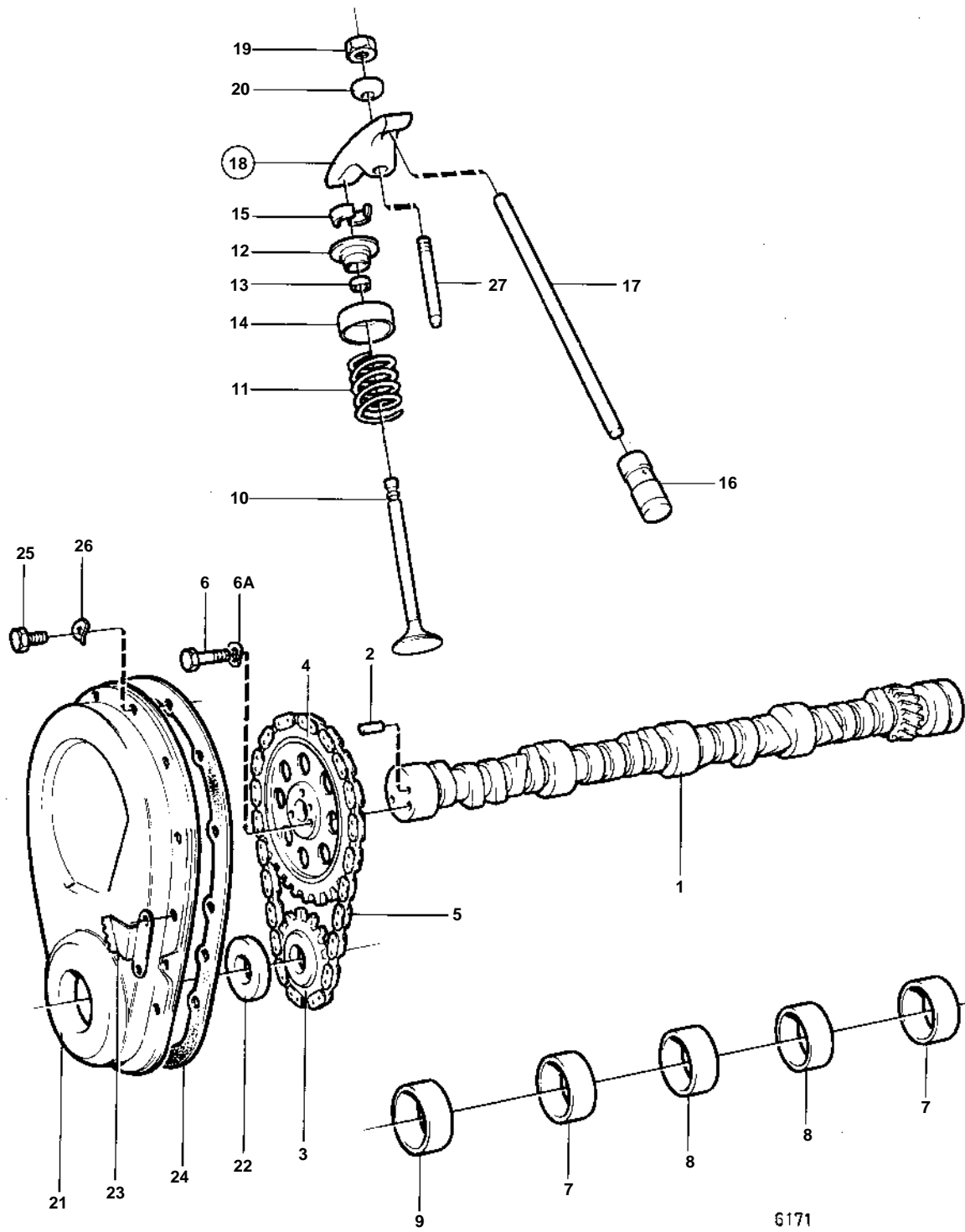


BB260A, BB260AV



BB260A, BB260AV

REF	PART NO.	QTY	DESCRIPTION	SEE SEC.	NOTES
1	835465	1	Camshaft		
	835061	1	Camshaft		FOR ENGINE WITH OPPOSITE ROTATION.
2	835040	1	· Locating pin		
3	835544	1	Sprocket		
	835058	1	Gear, SPROCKET		FOR ENGINE WITH OPPOSITE ROTATION.
				02A-0350	
				02A-0350	
4	835545	1	Sprocket		
	835063	1	Gear		FOR ENGINE WITH OPPOSITE ROTATION.
5	835546	1	Camshaft chain		EXCL ENGINE WITH OPPOSITE ROTATION.
6	940135	3	Screw		
6A	941907	3	Spring washer		
7	841423	2	Bushing		INCL.IN CYLINDERBLOCK.
8	841424	2	Bushing		INCL.IN CYLINDERBLOCK.
9	841422	1	Bearing		INCL.IN CYLINDERBLOCK.
10	835541	8	Exhaust valve		STD MO-19205. THICK VALVE ROD, 9,45MM.
	835277	8	Exhaust valve		STD MO-19205. NARROW VALVE ROD, 8,65MM.
	835541	8	Exhaust valve, EXHAUST VALVE		(841870). REPLACED BY 1EA EXHAUST VALVE 835541.
					STD MO19206-
					STD MO19206-
	841372	8	Exhaust valve		OVER SIZE 0,015". THICK VALVE ROD, 9,45MM.
	835541	8	Exhaust valve		OVER SIZE 0,030". NARROW VALVE ROD, 8,65MM.
	841372	8	Exhaust valve		OVER SIZE 0,045". NARROW VALVE ROD, 8,65MM.
	841864	8	Inlet valve, INLET VALVE		(835101)
					STD MO-15652
					STD MO-15652
	841860	8	Inlet valve		STD MO15653-
	841861	8	Inlet valve		OVER SIZE 0,015" MO15653
	841862	8	Inlet valve		OVER SIZE 0,030" MO15653
11	835102	16	Spring		
12	835400	8	Rotator		FOR EXHAUST VALVE.
	841782	8	Washer		(835104)
13	855564	16	Sealing kit	IK	
14	841781	16	Shield		
15	835401	32	Valve collet		
16	835089	16	Tappet		(835543)
17	841941	16	Push rod		(835088)
18	835090	16	Rocker arm		
19	841198	16	· Nut		
20	841199	16	· Ball		
21	841749	1	Timing gear casing		TO BE ASSEMBLED WITH INDICATOR 841038.
	841487	1	Timing gear casing		FOR ENGINE WITH OPPOSITE ROTATION.. TO BE ASSEMBLED WITH INDICATOR 841038.
22	835386	1	· Seal	IK	
	841488	1	· Seal	IK	FOR ENGINE WITH OPPOSITE ROTATION.
23	841038	1	Setting indicator		EXCL ENGINE WITH OPPOSITE ROTATION.
24	835389	1	Gasket	IK	
25	955511	10	Screw		(835369)
26	941906	10	Spring washer		
27	835108	16	Stud	02A-0550	
	841779	16	Screw		OVER SIZE 0,013"