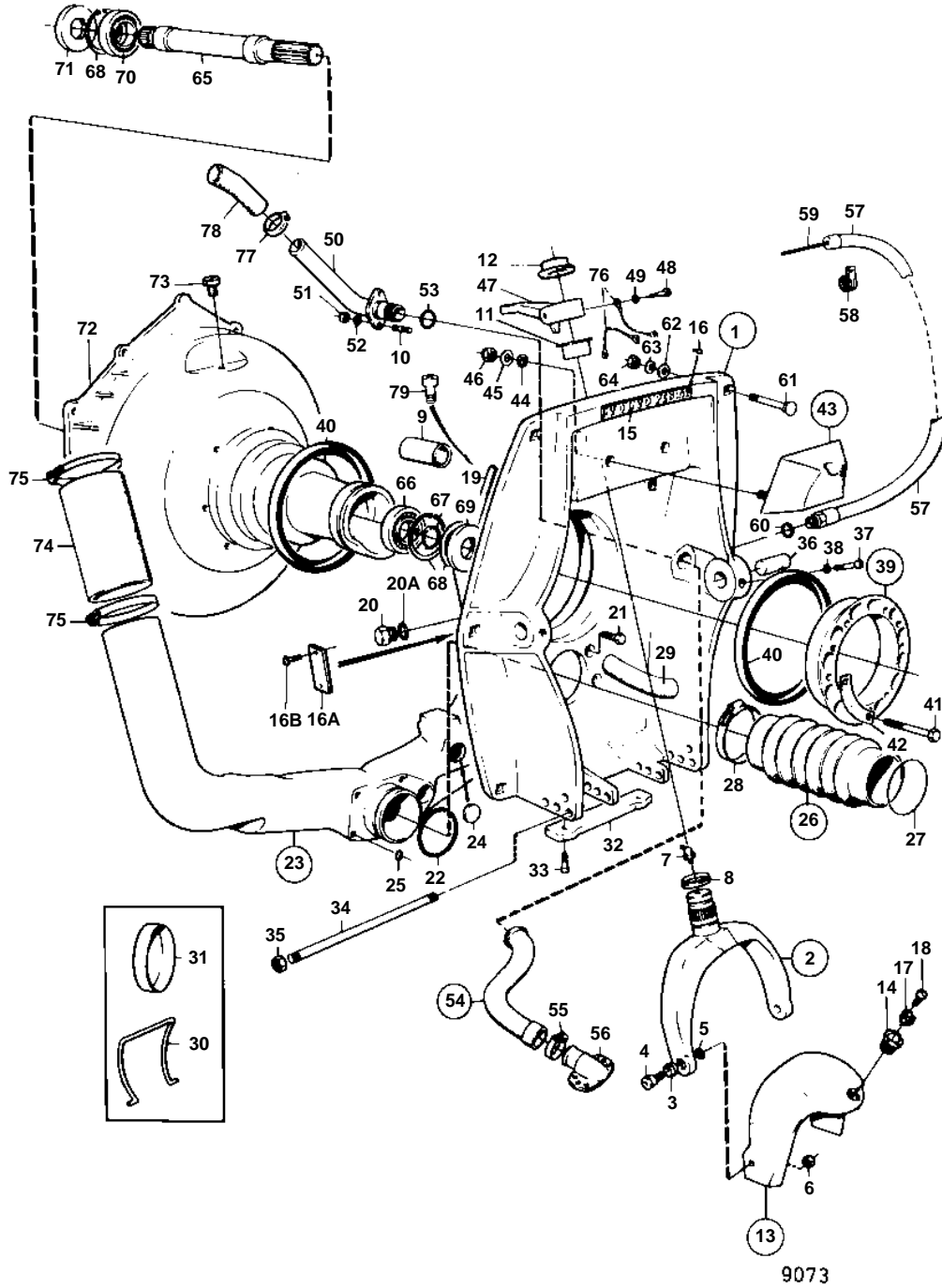


AQ231B



AQ231B

REF	QTY	DESCRIPTION	NOTES
59	X	CONTROL CABLE	SEE GROUP 9