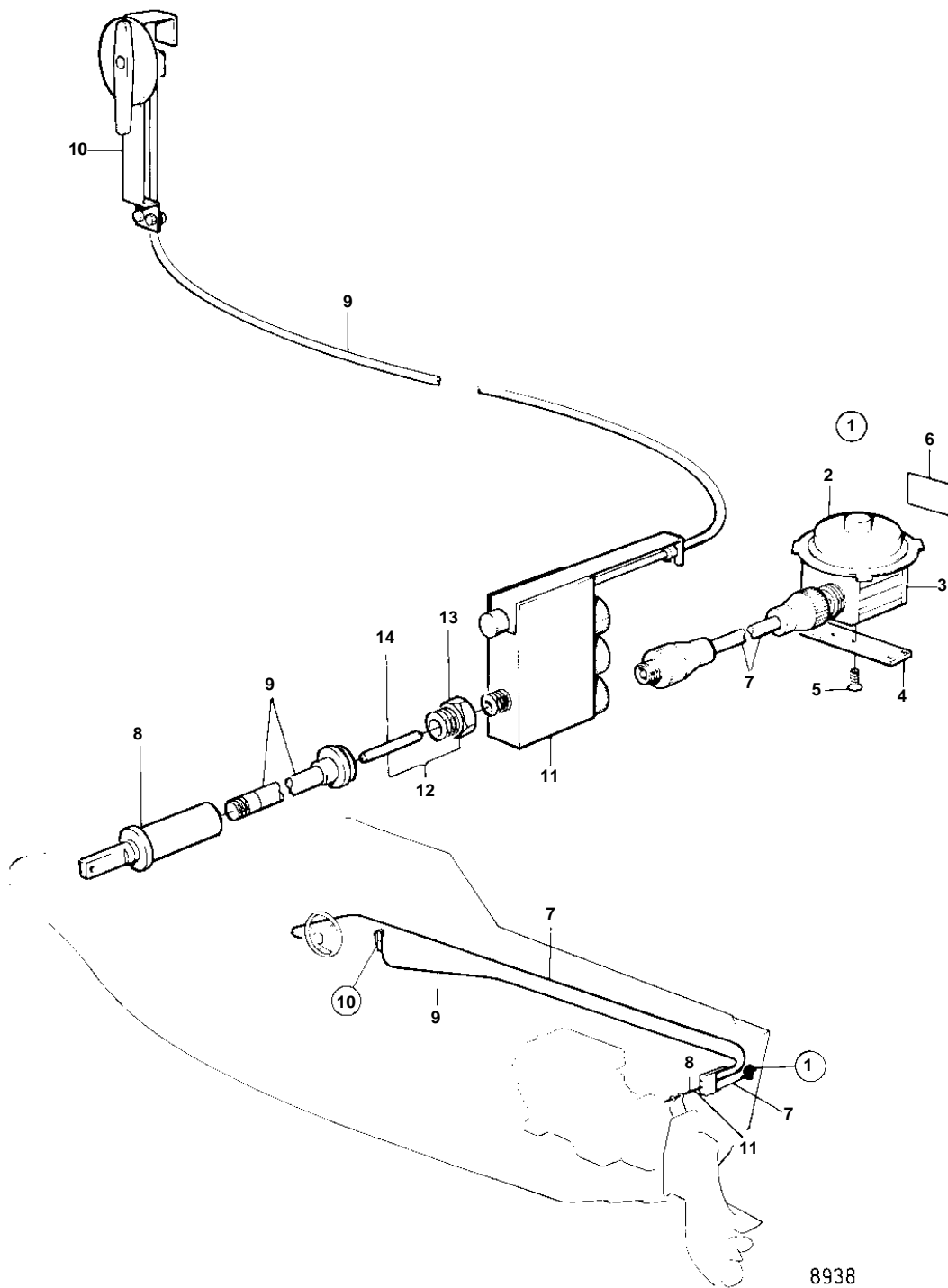


AQ231A



8938

AQ231A

REF	PART NO.	QTY	DESCRIPTION	SEE SEC.	NOTES
1		1	Drive unit		
2		1	· Electrical motor		12V,REPL BY 852031
3		1	· GEAR		
4		1	· BRACKET		
5		2	· SCREW		
6		1	· DECAL		
7		X	STEERING CABLE		*
8		X	STEERING CYLINDER		*
9	825765	X	Choke control		L = 3300 MM ALT
			Bulletin P-27-6-2	P-27-6-2-EN	End of Production - Stop Cables
9	825764	X	Choke control		L = 6900 MM ALT
			Bulletin P-27-6-2	P-27-6-2-EN	End of Production - Stop Cables
10		1	Control		*
11		1	Transfer gear		*
12		1	Adapter kit		
13		1	· ADAPTER		
14		1	· Shaft		