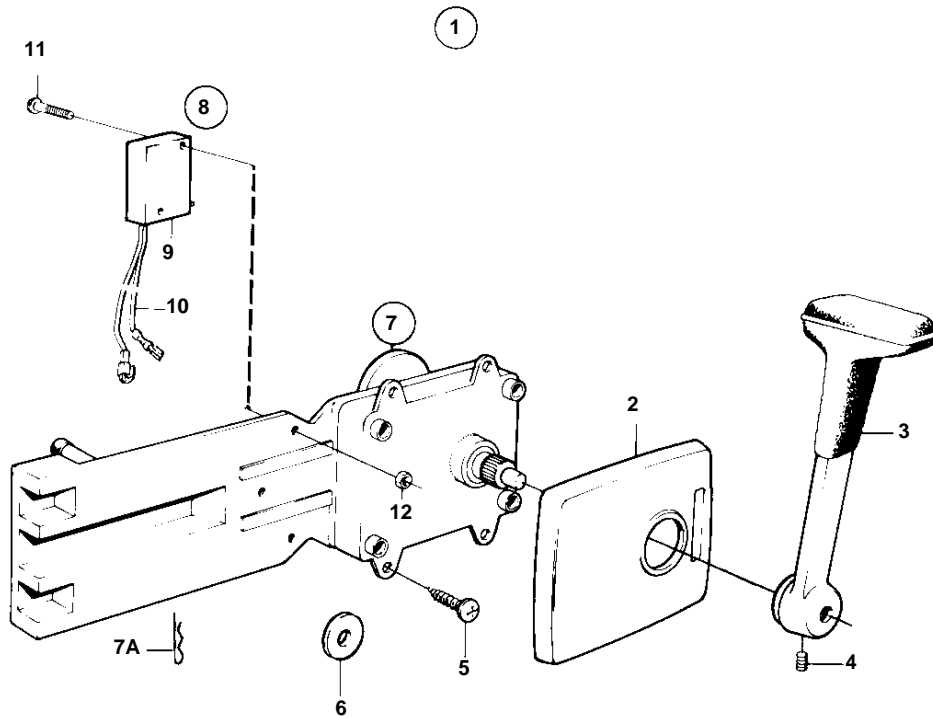


AQ231A, AQ231B



9053

## AQ231A, AQ231B

REF	PART NO.	QTY	DESCRIPTION	NOTES
1	851604	2	Mounting kit	SIDE-MOUNTED REPLACED BY 1140092. (839518)
2	1140048	2	· Cover	
3	839520	2	· Hand lever	
4	839693	2	· Lock screw	M8
5	955142	8	· Cross recessed screw	
6		1	· WASHER	
7	851601	2	Control	
7A	852924	1	· Clip	
8	855352	1	Neutral position con	MAIN STATION., (841165)
	855352	1	Neutral position con	SECOND STATION.
9	850200	2	· Toggle switch	
10		X	· · CABLES AND TERMINALS	SEE GROUP 3
11	946177	4	· Cross recessed screw	
	947536	4	· Hexagon nut	