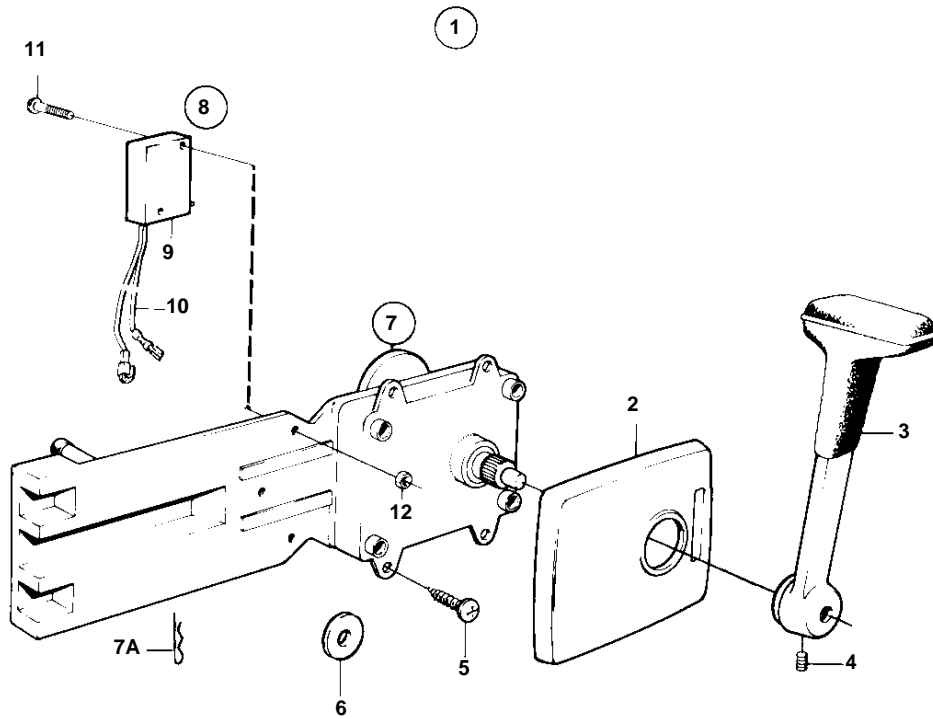


AQ231A, AQ231B



9053

AQ231A, AQ231B

REF	PART NO.	QTY	DESCRIPTION	NOTES
1	851604	1	Mounting kit	SIDE-MOUNTED REPLACED BY 1140092. (839518)
2	1140048	1	· Cover	
3	839520	1	· Hand lever	
4	839693	1	· Lock screw	M8
5	955142	4	· Cross recessed screw	
6		1	· WASHER	
7	851601	1	Control	
7A	852924	1	· Clip	
8	855352	1	Neutral position con	MAIN STATION., (841165)
9	850200	1	· Toggle switch	
10		X	· · CABLES AND TERMINALS	SEE GROUP 3
11	946177	2	· Cross recessed screw	
	947536	2	· Hexagon nut	