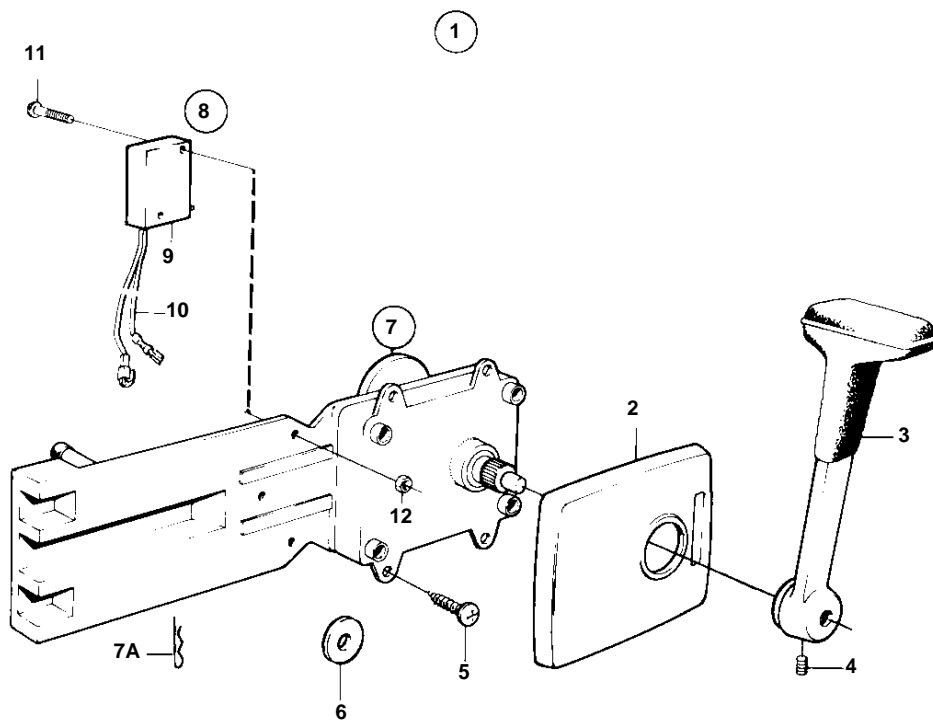


AQ231A, AQ231B



9053

## AQ231A, AQ231B

| REF | PART NO. | QTY | DESCRIPTION              | NOTES                   |
|-----|----------|-----|--------------------------|-------------------------|
| 1   | 839515   | 2   | Mounting kit             | REPL BY 851604          |
| 2   | 1140048  | 2   | · Cover                  | (839518)                |
| 3   | 839520   | 2   | · Hand lever             |                         |
| 4   |          | 2   | · Lock screw             | M5                      |
|     | 839693   | 2   | · Lock screw             | M8                      |
| 5   | 955142   | 8   | · Cross recessed screw   |                         |
| 7   | 839469   | 2   | Control                  | REPL BY 851601          |
| 8   | 855352   | 1   | Neutral position con     | MAIN STATION., (841165) |
|     | 855352   | 1   | Neutral position con     | SECOND STATION.         |
| 9   | 850200   | 2   | · Toggle switch          |                         |
| 10  |          | X   | · · CABLES AND TERMINALS | SEE GROUP 3             |
| 11  | 946177   | 4   | · Cross recessed screw   |                         |
|     | 947536   | 4   | · Hexagon nut            |                         |