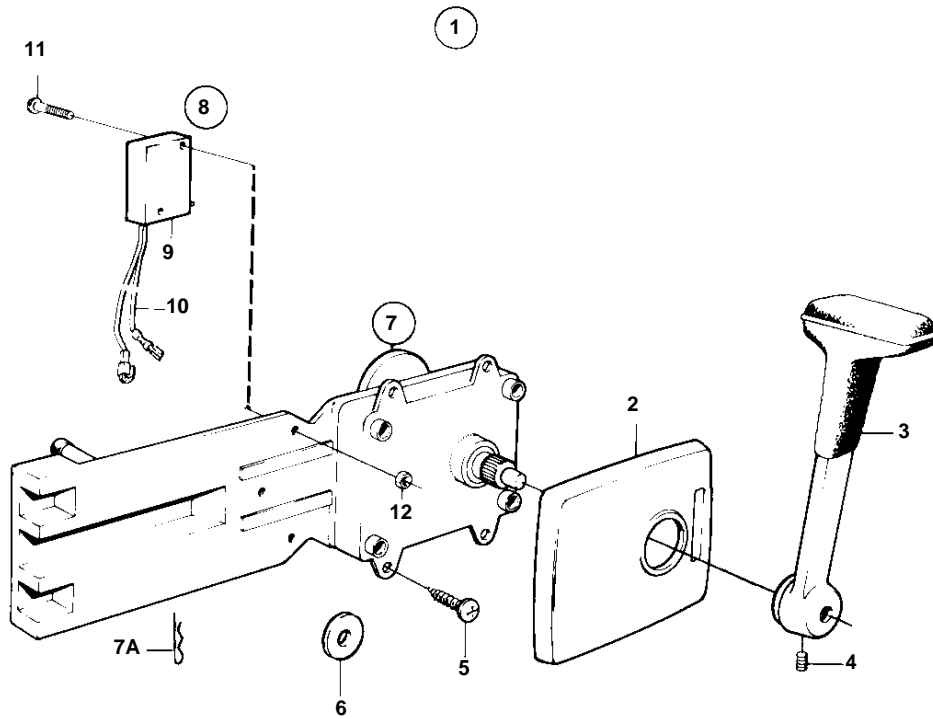


AQ231A, AQ231B



9053

## AQ231A, AQ231B

REF	PART NO.	QTY	DESCRIPTION	SEE SEC.	NOTES
1	839515	1	Mounting kit		REPL BY 851604 (839518)
2	1140048	1	· Cover		
3	839520	1	· Hand lever		
4		1	· Lock screw		M5
	839693	1	· Lock screw		M8
5	955142	4	· Cross recessed screw		
7	839469	1	Control		REPL BY 851601
				17562	
				17562	
8	855352	1	Neutral position con		MAIN STATION., (841165)
9	850200	1	· Toggle switch		
10		X	· · CABLES AND TERMINALS		SEE GROUP 3
11	946177	2	· Cross recessed screw		
	947536	2	· Hexagon nut		