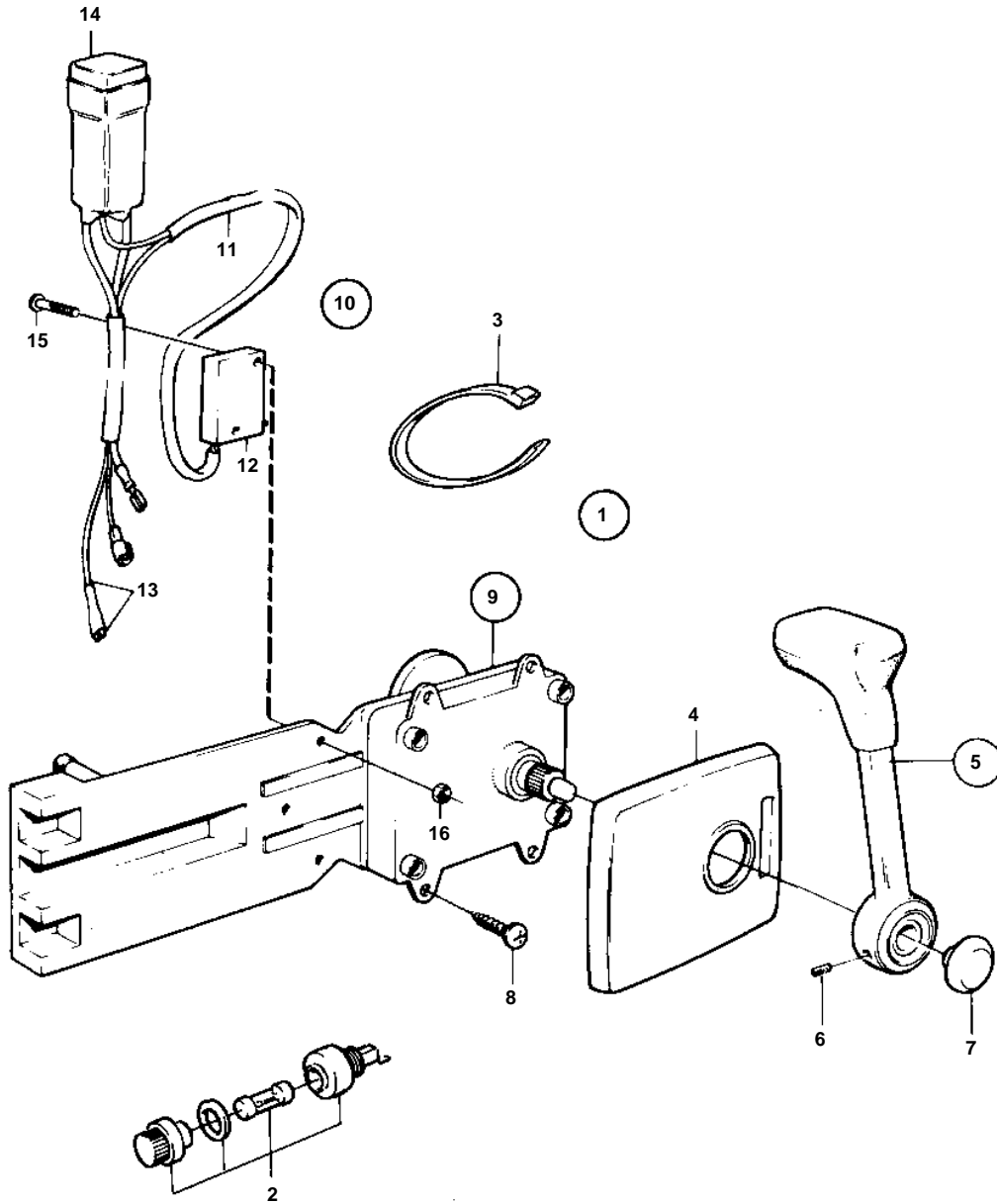


AQ231A, AQ231B



8887

## AQ231A, AQ231B

REF	PART NO.	QTY	DESCRIPTION	SEE SEC.	NOTES
1	853102	1	Mounting kit		INSTALLATION KIT REPLACED BY 1140090. (839518)
4	1140048	1	• Cover		
5	852347	1	• Hand lever		
				17559	
				17560	
6	963678	1	• Hex. socket screw		
7	853004	1	• Push button		
8	955142	4	• Cross recessed screw		
9	851601	1	Control		SIDE-MOUNTED REPLACED BY 1140095.
				17562	
10	855352	1	Neutral position con		
11		1	• Cable kit		
12	850200	1	• Toggle switch		
13		X	• CABLES AND TERMINALS		SEE GROUP 3
14	876037	1	• Relay kit		(1501832)
15	946177	2	• Cross recessed screw		
16	947536	2	Hexagon nut		