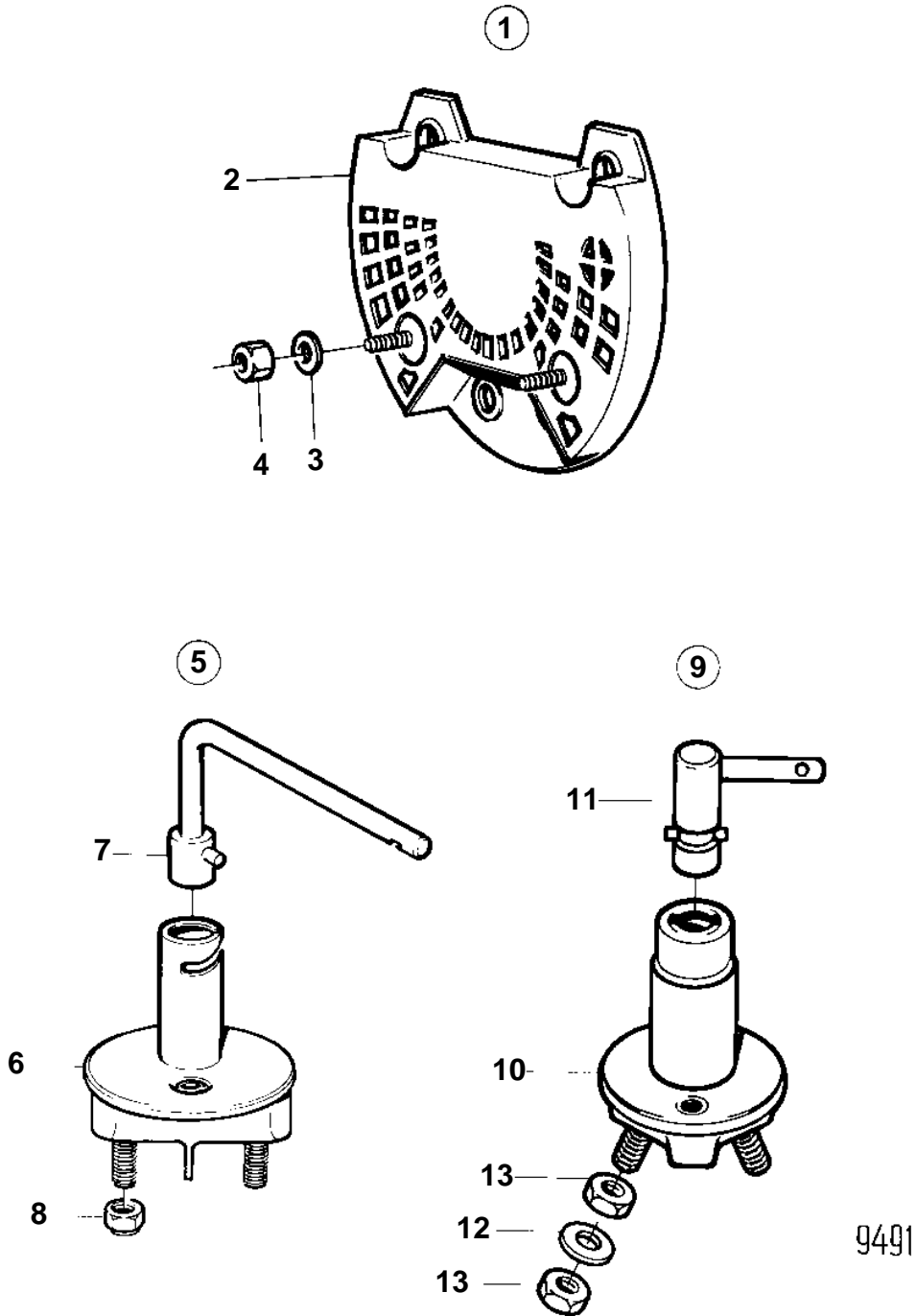


AQ231A, AQ231B



9491

AQ231A, AQ231B

REF	PART NO.	QTY	DESCRIPTION	NOTES
1	858968	1	Junction block	FOR CHARGING OF 2 BATTERIES., FOR ALTERNATORS 12V, 50A AND 24V, 55A.
2		1	· CHARGING RELAY	
3	941906	2	· Spring washer	
4	955781	2	· Hexagon nut	
5	870980	1	Main switch	REPL BY 1140319
6		1	· SWITCH	
7	243700	1	· Handle	
8	955783	2	· Hexagon nut	
9	1140319	1	Battery main switch	
10		1	· SWITCH	
11		1	· HANDLE	
12		2	· WASHER	
13		4	· NUT	