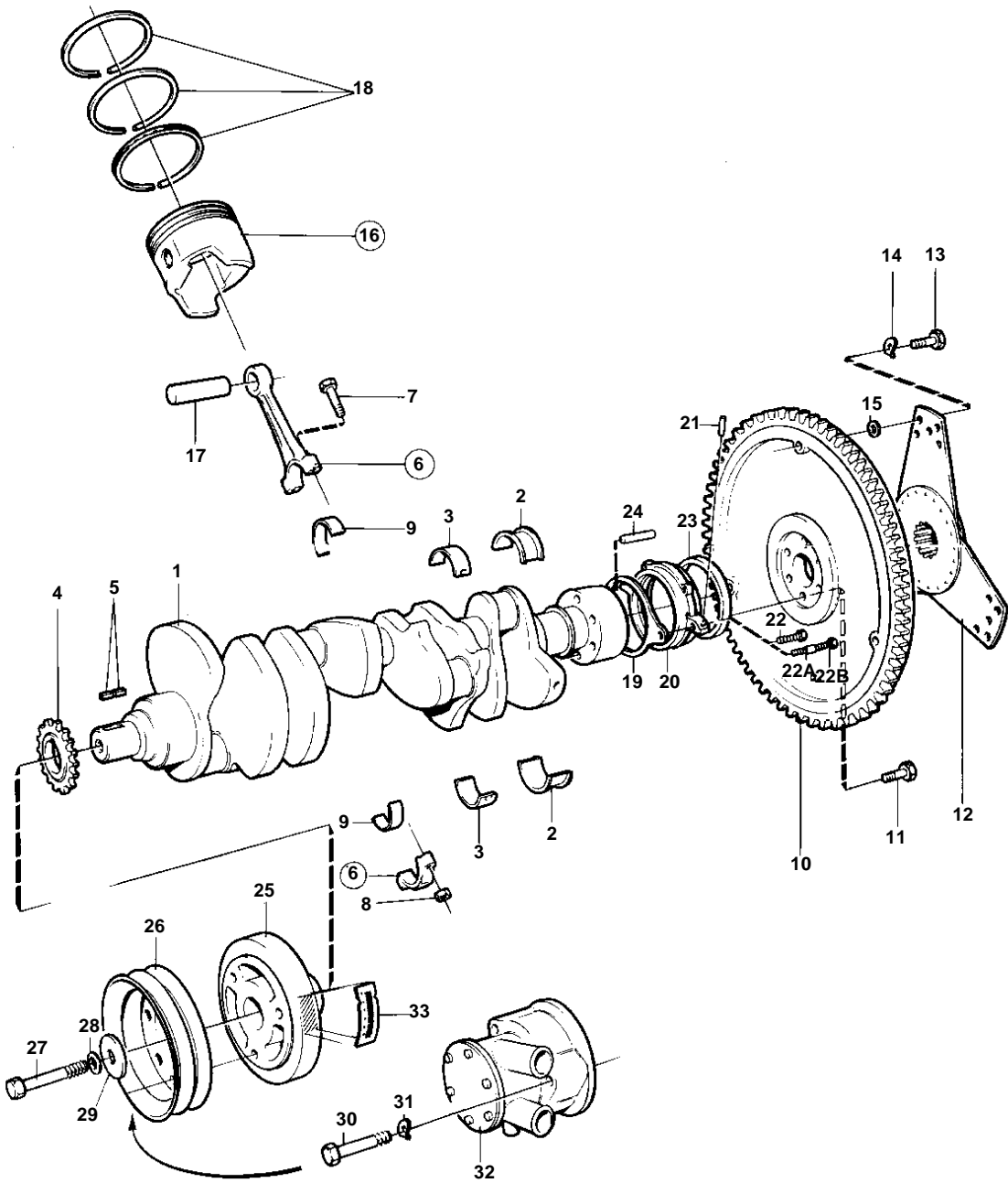


AQ231B



7956

AQ231B

| REF | PART NO. | QTY | DESCRIPTION | SEE SEC. | NOTES |
|-----|----------|-----|------------------------------------|----------|--|
| 1 | | 1 | Crankshaft | | |
| 2 | 856439 | 1 | Thrust bearing | | STD (835052) |
| | 856666 | 1 | Thrust bearing | | UNDER SIZE 0,010" (83505) |
| | 856765 | 1 | Main bearing | | UNDER SIZE 0,020" (83506) |
| 3 | 856739 | 6 | Main bearing | | STD (835051) |
| | 841254 | | · Main bearing, MAIN BEARING SHELL | | STD, REPL BY 856739 |
| | | | | | UPPER |
| | 841255 | | · Main bearing, MAIN BEARING SHELL | | STD, REPL BY 856739 |
| | | | | | LOWER |
| | 856342 | 6 | Main bearing | | UNDER SIZE 0,010" (83505) |
| | 856764 | 6 | Main bearing | | UNDER SIZE 0,020" (83505) |
| 4 | | 1 | SPROCKET | 17465 | |
| 5 | 835059 | 2 | Key | | |
| 6 | 841867 | 8 | Connecting rod | | |
| 7 | | 16 | · Hex. socket screw | | |
| 8 | 835473 | 16 | · Nut | | |
| 9 | 856669 | 8 | Rod bearing | | STD (835273) |
| | 856740 | 8 | Main bearing | | UNDER SIZE 0,010" (83539) |
| | 856738 | 8 | Rod bearing | | UNDER SIZE 0,020" (83507) |
| 10 | 855814 | 1 | Flywheel | | |
| 11 | 835439 | 6 | Screw | | (855815) |
| 12 | 855694 | 1 | Absorber | | (855648) |
| 13 | 835482 | 3 | Screw | | |
| 14 | 942336 | 3 | Spring washer | | |
| 15 | 940097 | 3 | Washer | | |
| 16 | 856061 | 8 | Piston | | WHEN ORDERING SEPARATE PISTONS, NOTE THE MARKING ON THE UNDERSIDE OF THE CYLINDER BLOCK., ALT, FGH 305-87 S4 |
| | 856062 | 8 | Piston | | WHEN ORDERING SEPARATE PISTONS, NOTE THE MARKING ON THE UNDERSIDE OF THE CYLINDER BLOCK., ALT, JKL 305-87 S5 |
| | | | | | REPL BY 856061 |
| | 856063 | 8 | Piston | | OVER SIZE 0,030" |
| 17 | | 8 | · GUDGEON PIN | | |
| 18 | 826469 | 8 | Piston ring kit | | INCL.IN CYLINDERBLOCK., STD |
| | 826470 | 8 | Piston ring kit | | OVER SIZE 0,030" |
| 19 | 855810 | 1 | Gasket | | INCL.IN CYLINDERBLOCK. |
| 20 | 855907 | 1 | Retainer | | INCL.IN CYLINDERBLOCK. |
| 21 | 855808 | 2 | Stud | | INCL.IN CYLINDERBLOCK. |
| 22 | 855811 | 2 | Screw | | INCL.IN CYLINDERBLOCK. |
| | 855812 | 1 | Screw | | INCL.IN CYLINDERBLOCK. |
| 22A | 855813 | 1 | Stud | | INCL.IN CYLINDERBLOCK. |
| 22B | | 1 | Flange nut | | INCL.IN CYLINDERBLOCK. |
| 23 | 855809 | 1 | Crankshaft seal | | |
| 24 | 835057 | 1 | Pin | | |
| 25 | 856420 | 1 | Vibration damper | | (826477) |
| 26 | 835407 | 1 | Pulley | | |
| 27 | 949518 | 1 | Hexagon screw | | |
| 28 | | 1 | Lock washer | | |
| 29 | 835409 | 1 | Washer | | |
| 30 | 948324 | 3 | Hex. socket screw | | |
| 31 | 942336 | 3 | Spring washer | | |
| 32 | | 1 | SEA WATER PUMP | | SEE GROUP 2B |
| 33 | | 1 | Decal | | |