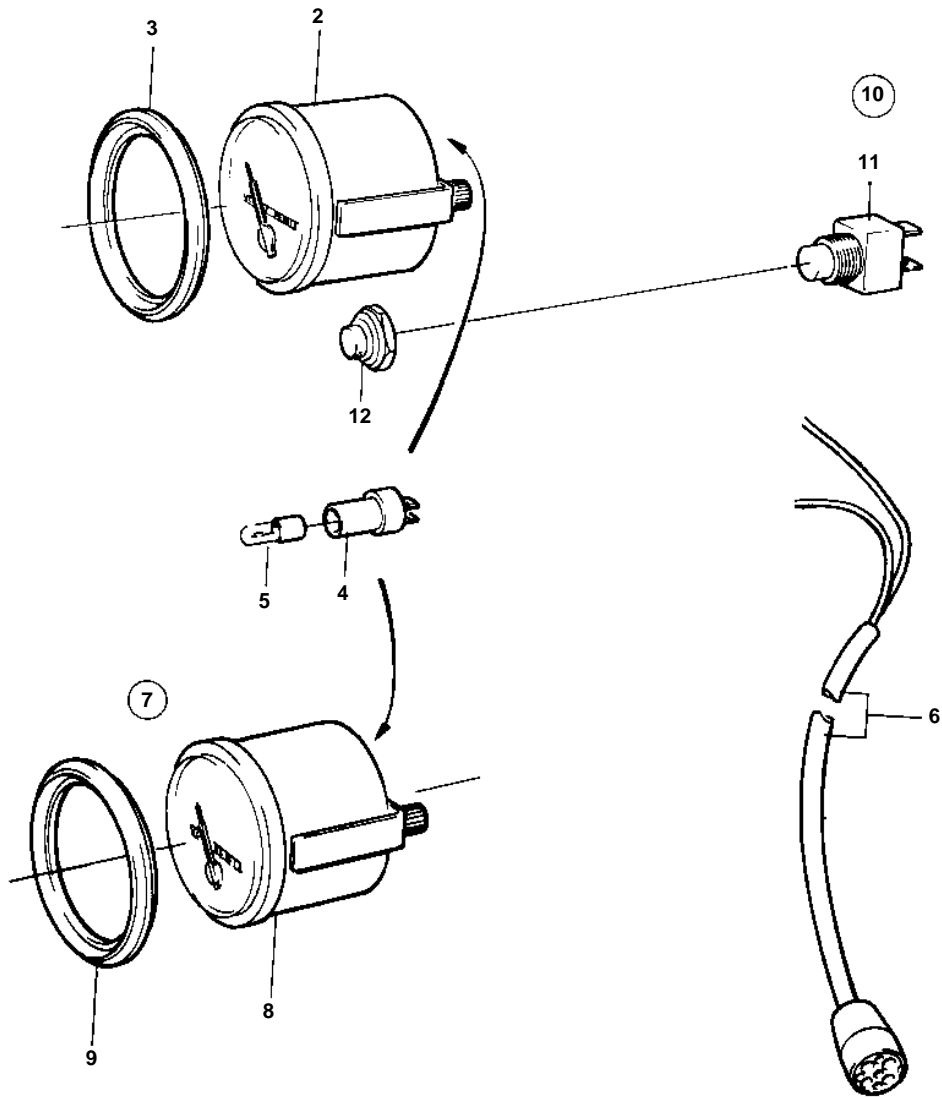


①



8937

REF	PART NO.	QTY	DESCRIPTION	NOTES
1	828711	1	Hour counter kit	REPL BY 858877
2	828615	1	· Hour counter	
3	858643	1	· Front ring	(828542)
4	808175	1	· Bulb socket	
5	19923	1	· Bulb	
	182059	1	· Bulb	
6		X	· CABLES AND TERMINALS	SEE GROUP 3
7	858878	1	Voltmeter kit	
8	828628		Voltmeter	
9	858643	1	· Front ring	(828542)
10	828718	1	Switch	
	828719	1	Switch	
11	828584	1	· Switch	
	828585	1	· Switch	
12	828586	1	· Button	