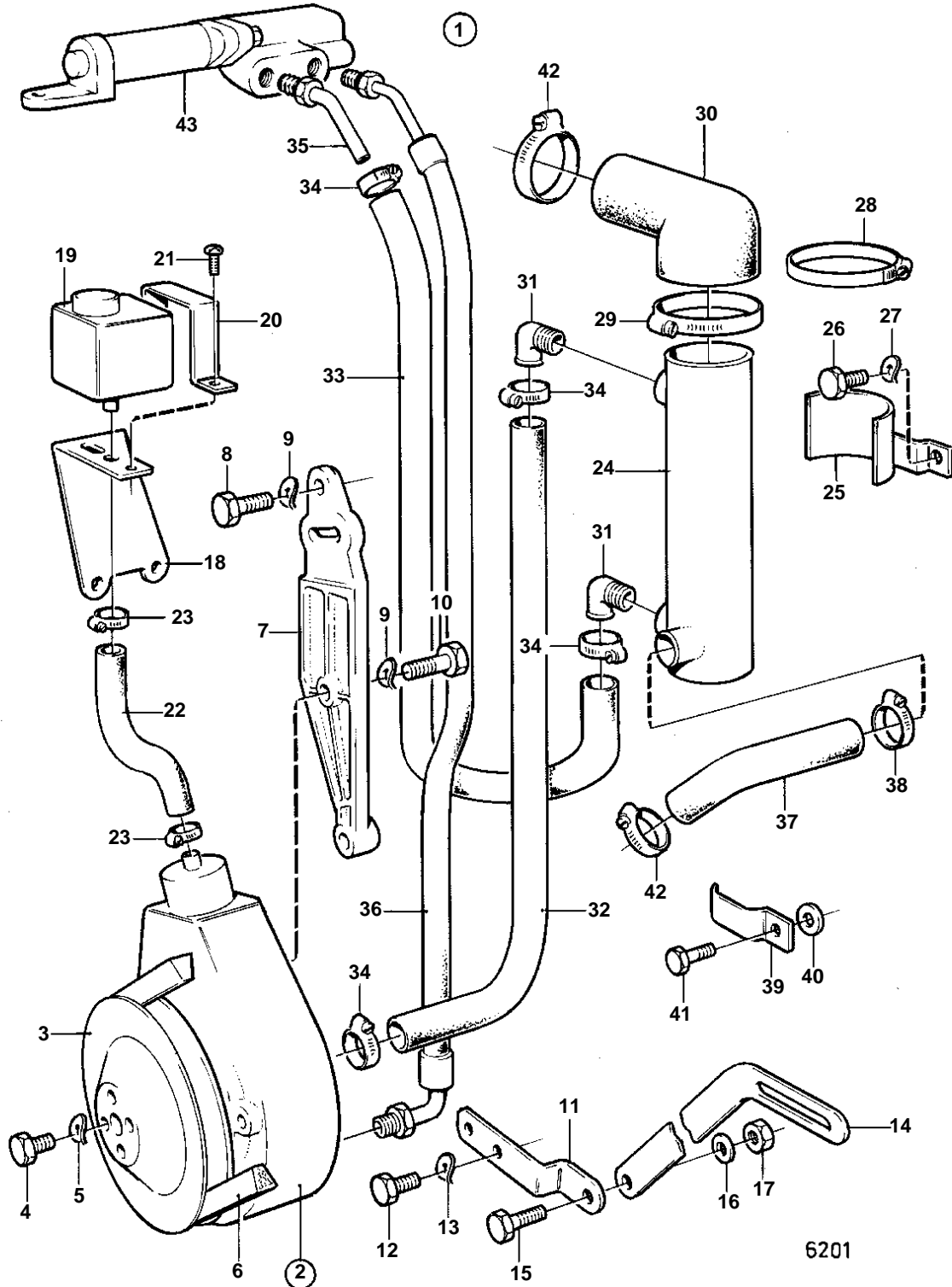


AQ200D



**AQ200D**

| REF | PART NO. | QTY | DESCRIPTION            | SEE SEC. | NOTES                 |
|-----|----------|-----|------------------------|----------|-----------------------|
| 1   |          | 1   | Power steering pump    |          |                       |
| 2   | 851698   | 1   | • Power steering pump  |          | REPL BY 841984        |
|     |          |     |                        | 17124    |                       |
|     | 841984   | 1   | • Power steering pump  |          |                       |
|     |          |     |                        | 17124    |                       |
| 3   | 851714   | 1   | • Pulley               |          |                       |
| 4   |          | 4   | • Screw                |          |                       |
| 5   | 942336   | 4   | • Spring washer        |          |                       |
| 6   | 958485   | 1   | • Belt                 |          |                       |
| 7   |          | 1   | • Bracket              |          |                       |
| 8   | 955535   | 2   | • Hexagon screw        |          |                       |
| 9   | 942336   | 2   | • Spring washer        |          |                       |
| 10  | 955319   | 2   | • Hexagon screw        |          |                       |
| 11  |          | 1   | • Attaching plate      |          |                       |
| 12  | 940133   | 2   | • Hexagon screw        |          | EARLY TYPE            |
|     | 940148   | 2   | • Hexagon screw        |          | LATE TYPE             |
| 13  | 942336   | 2   | • Spring washer        |          | EARLY TYPE            |
|     | 941908   | 2   | • Spring washer        |          | LATE TYPE             |
| 14  |          | 1   | • Tensioner            |          |                       |
| 15  | 940115   | 1   | • Hexagon screw        |          |                       |
| 16  | 940097   | 1   | • Washer               |          |                       |
| 17  | 950364   | 1   | • Lock nut             |          |                       |
| 18  |          | 1   | • Bracket              |          |                       |
| 19  |          | 1   | • Reservoir            |          |                       |
| 20  |          | 1   | • Tensioner            |          |                       |
| 21  | 950045   | 1   | • Cross recessed screw |          |                       |
| 22  |          | X   | • Hose                 |          | L = 400 MM            |
| 23  | 851685   | 2   | • Hose clamp           |          |                       |
| 24  |          | 1   | • Oil cooler           |          |                       |
| 25  |          | 1   | • Bracket              |          |                       |
| 26  | 940133   | 2   | • Hexagon screw        |          |                       |
| 27  | 941908   | 2   | • Spring washer        |          |                       |
| 28  | 961671   | 1   | • Hose clamp           |          |                       |
| 29  | 961673   | 1   | • Hose clamp           |          |                       |
| 30  | 841920   | 1   | • Hose                 |          |                       |
| 31  | 944650   | 2   | • Elbow nipple         |          |                       |
| 32  | 838311   | X   | • Return hose          |          | (1228399) L = 1320 MM |
| 33  | 838311   | X   | • Return hose          |          | (1228399) L = 630 MM  |
| 34  | 851685   | 4   | • Hose clamp           |          |                       |
| 35  |          | 1   | • Hose coupling        | 17121    |                       |
| 36  | 851526   | 1   | • Pressure hose, HOSE  |          | L = 1400 MM           |
|     |          |     |                        | 17121    |                       |
| 37  |          | 1   | • • • Hose             |          | L = 200 MM            |
| 38  | 961669   | 1   | • • • Hose clamp       |          |                       |
| 39  |          | 1   | • • • Clamp            |          |                       |
| 40  | 823575   | 1   | • • • Spacer sleeve    |          | FOR V6                |
| 41  | 940115   | X   | Hexagon screw          |          | SEE GROUP 2B          |
| 42  | 961669   | X   | Hose clamp             |          | SEE GROUP 2B          |
| 43  |          | 1   | Servo valve            | 17121    |                       |