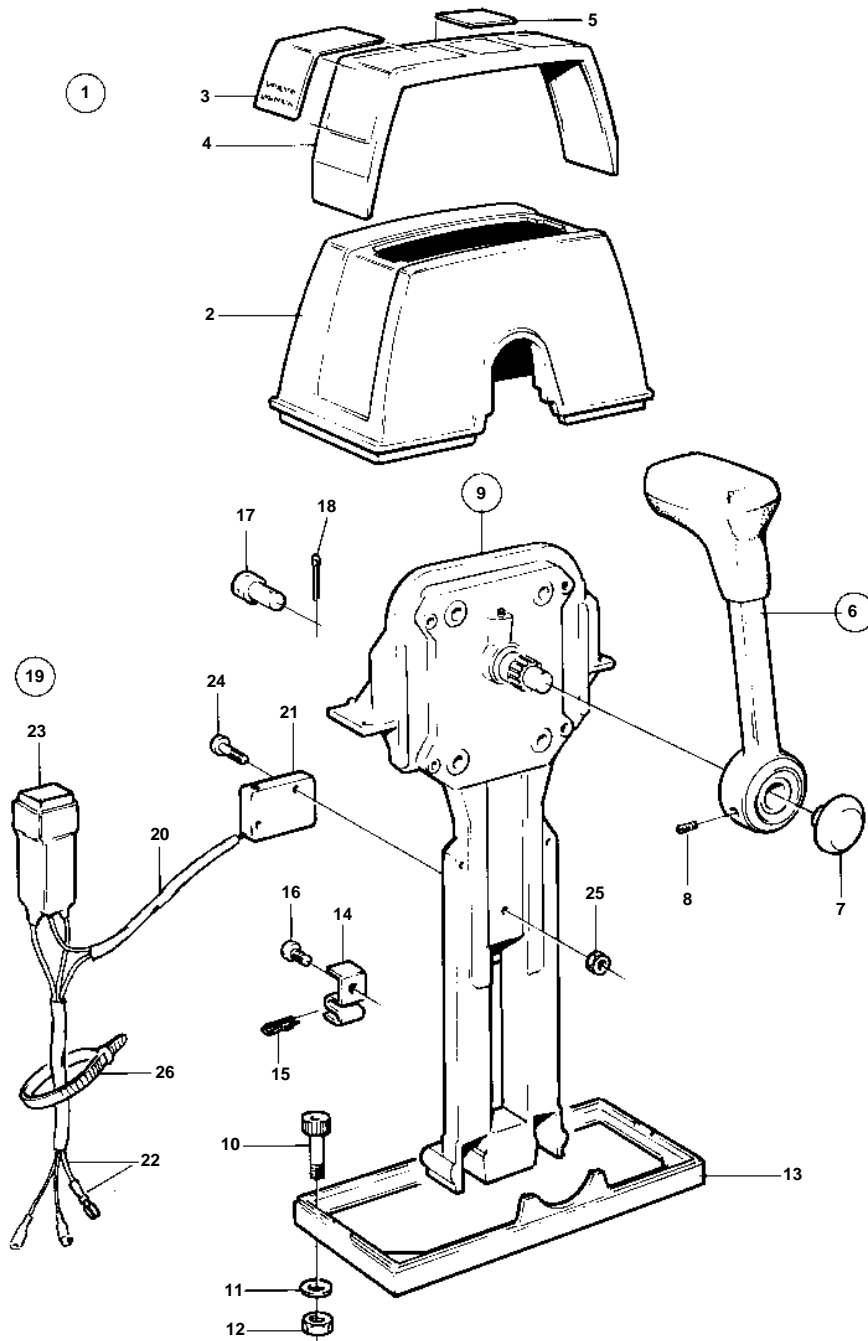


AQ200D, AQ200F



7470

AQ200D, AQ200F

REF	PART NO.	QTY	DESCRIPTION	SEE SEC.	NOTES
1	853168	1	Mounting kit		SINGLE
2		1	· Cover		
3	851896	2	· Decal		
4		1	· Crossbar		
5		1	· Decal		
6	852347	1	· Hand lever		
				17138	
7	853004	1	· Push button		
8	963678	1	· Hex. socket screw		
9	851600	1	· Control		
				17141	
10	947671	4	· Hex. socket screw		
11	960138	4	· Washer		
12	955780	4	· Hexagon nut		
13	839474	1	· Plate		
14	853423	1	· Retainer		
15	852924	1	· Clip		
16	839664	1	Screw		
17	839638	1	Cube		
18	17253	1	Split pin		
19	839641	1	Neutral position con		
20		1	· Cable kit		
21	850200	1	· · Toggle switch		
22		X	· · CABLES AND TERMINALS		
23	1501832	1	· Relay		
24	946177	2	· Cross recessed screw		
25	947536	2	· Hexagon nut		
26	948210	X	· Cable tie		