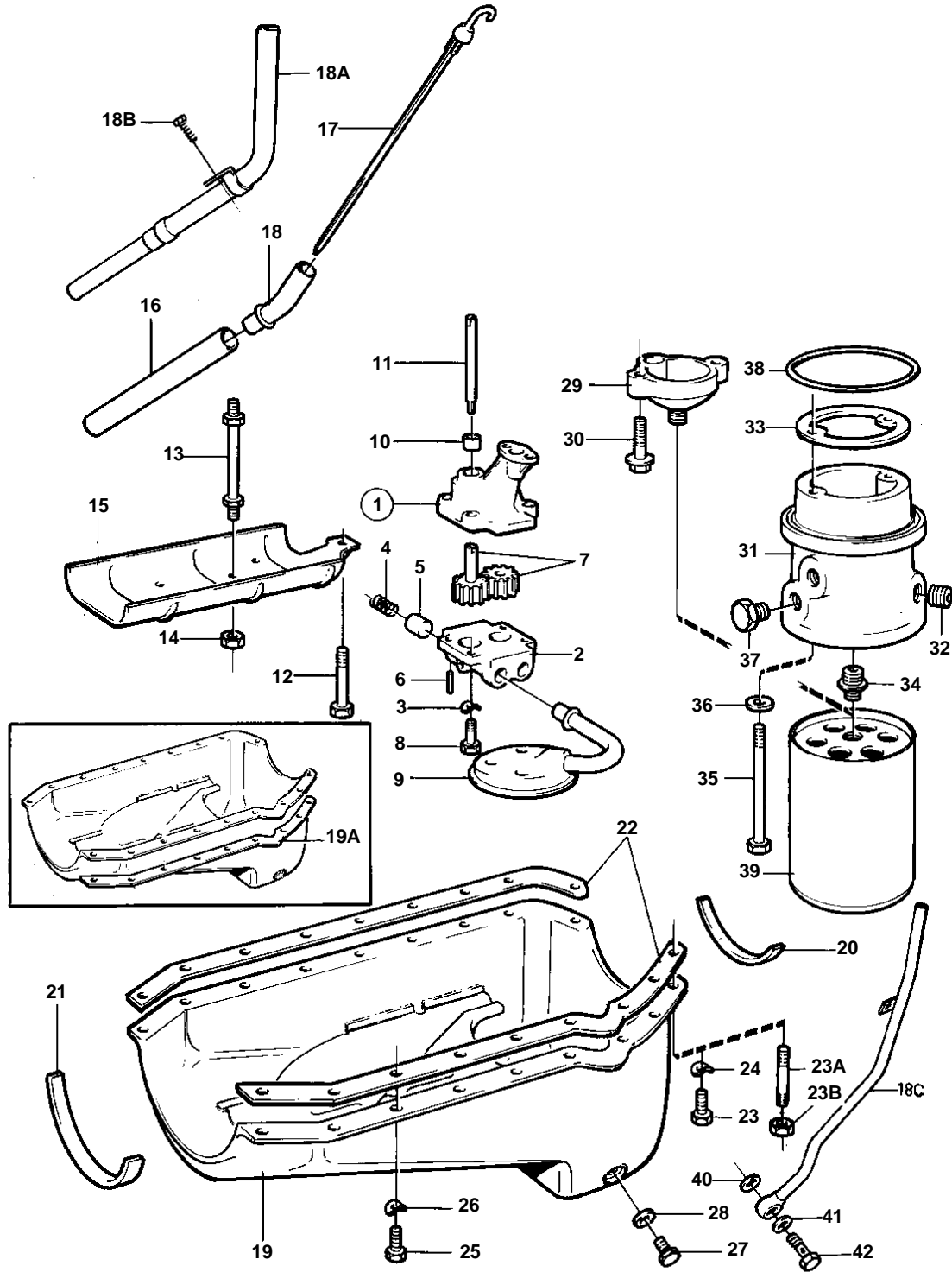


AQ200D



7905

## AQ200D

REF	PART NO.	QTY	DESCRIPTION	SEE SEC.	NOTES
1	835371	1	Oil pump		
2		1	• Cover		
3	941906	4	• Spring washer		
4		1	• Spring		
5	835376	1	• Spring		
6		1	• Spring catch		
7		2	• GEAR		
8	955513	4	• Hexagon screw		
9		1	Oil strainer		(826476)
10	835374	1	Sleeve		
11	835373	1	Shaft		
12	955550	1	Hexagon screw		
13			STUD		EXCL AQ200D
14			NUT		EXCL AQ200D
15			BAFFLE		EXCL AQ200D
16	945460	1	Tube		AQ290A MO-16525., L = 711 MM
17	835414	1	Oil dipstick		
18	826491	1	Tube		MO-16290
18A	841543	1	Tube		MO16291-
18B	955512	1	Hexagon screw		AQ200D MO16291-, AQ225D MO15653-, AQ260A MO15154-, AQ290A MO16525-.
18C	841792	1	Oil scavenging pipe		
19	826475	1	Oil sump		MO-16290
	841719	1	Sump		MO16291-
	855718	1	Sump		MO46308-
	841677	1	Sump		AQ225D MO15653-, AQ260A MO15154-, AQ290A MO16525-.
19A	855817	1	Reinforcing plate		RIGHT SIDE
19	855818	1	Reinforcing plate		LEFT SIDE
20	835411	1	• Seal		
21	834774	1	• Seal		
22	855729	1	• Gasket		AQ200D MO-16290, AQ225D MO-15652, AQ260A MO-15153.
	841721	1	Gasket kit		AQ200D MO16291-, AQ225D MO15653-, AQ260A MO15154-, AQ290A MO16525-.
23	955523	4	Hexagon screw		EARLY TYPE
23A	855595	4	Stud		LATE TYPE
23B	855596	4	Nut		LATE TYPE
24	941907	4	Spring washer		EARLY TYPE
25	841426	14	Screw		
26	941906	14	Spring washer		
27	841215	1	Plug		
28	841952	1	Gasket		
29	835423	1	Anchorage		
30		2	Screw		
31			OIL FILTER HOUSING		EXCL AQ200D
32			• PLUG		EXCL AQ200D
33			Gasket		EXCL AQ200D
34			SCREW UNION		EXCL AQ200D
35			BOLT		EXCL AQ200D
36			WASHER		EXCL AQ200D
37			SCREW UNION		EXCL AQ200D
38			SEAL RING		EXCL AQ200D
39	835440	1	Oil filter		
			Bulletin P-21-7-1	P-21-7-1-EN	Oil Filters, GM gas engines
40	841952	1	Gasket		
41	841953	1	Gasket		
42	954393	1	Hollow screw		