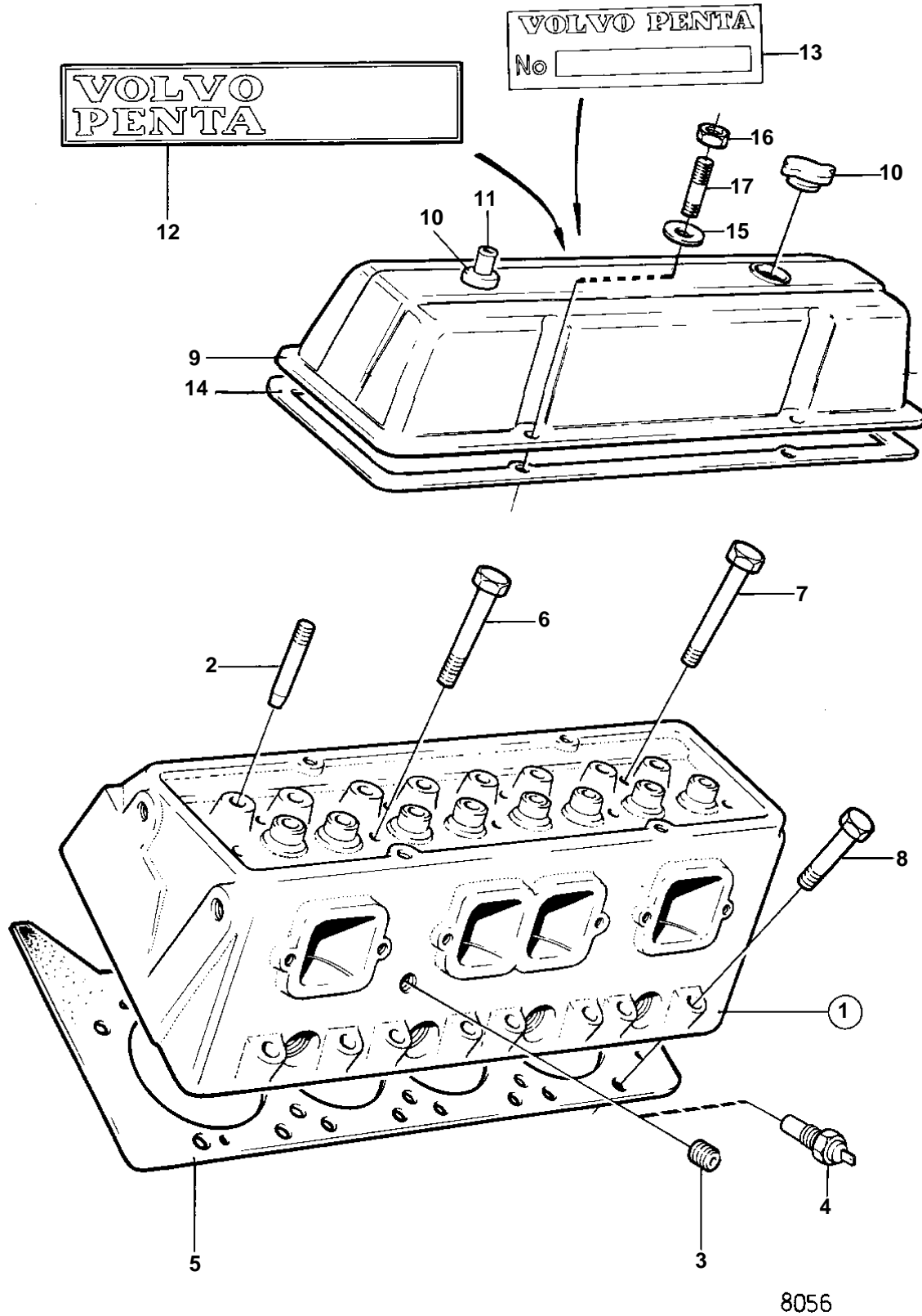


AQ200F



AQ200F

REF	PART NO.	QTY	DESCRIPTION	SEE SEC.	NOTES
1		2	Cylinder head		
2	835108	16	• Stud	17051	
3	968145	2	Plug		
4	841207	2	Gasket		
5	835077	14	Screw		
6	835079	4	Screw		
7	835078	16	Screw		
8		2	Valve cover		
9	818620	2	Filler cap		
10	835415	2	Rubber bushing		SEE GROUP 2C
11	841546	2	Hose attachment		SEE GROUP 2C
12		2	Decal		
13		1	ENGINE NUMBER DECAL		
14	855590	2	Gasket		
15	855593	4	Washer		
16		8	Flange nut		
17		8	Stud		