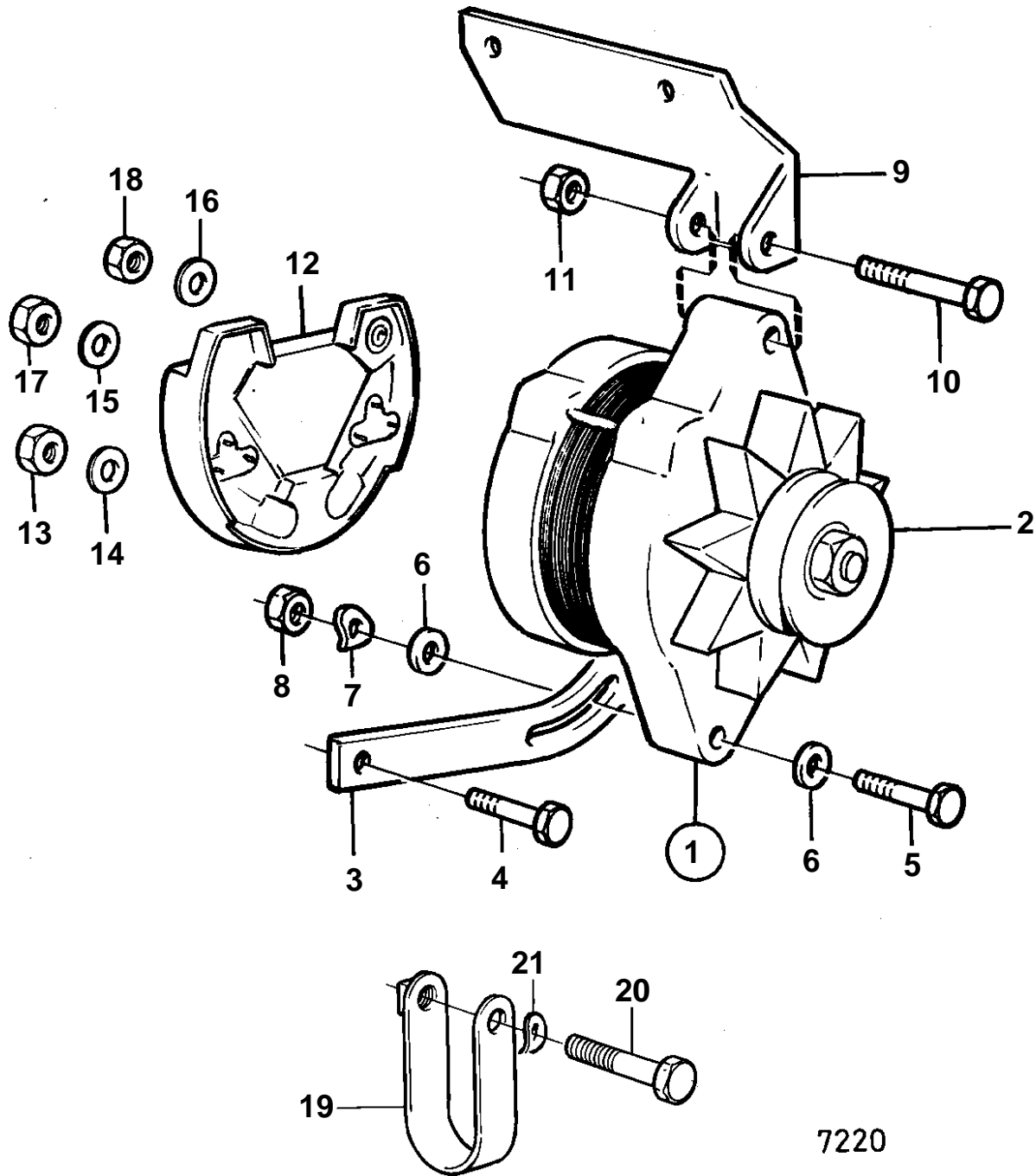


AQ200D



7220

**AQ200D**

| REF | PART NO. | QTY | DESCRIPTION       | SEE SEC. | NOTES  |
|-----|----------|-----|-------------------|----------|--|
| 1   | 826495   | 1   | Alternator        |          | AQ200D MO-11576, AQ225D MO-11736, AQ260A MO-11506, AQ290A MO-12259.                        |
|     |          |     |                   | 17081    |  |
|     |          | 1   | Alternator        |          | AQ200D MO 11577-, AQ225D MO 11737-, AQ260A MO 11507-, AQ290A MO12260-., 35A REPL BY 841769 |
|     |          |     |                   | 17081    |  |
|     |          | 1   | Alternator        |          | REPLACED BY 1 ALTERATOR 841765 AND 1 CABLE UNIT 841822., 35A MO-28264                      |
|     |          |     | Bulletin 49-04    | 49-04-EN | Alternators  |
| 1   |          |     |                   | 17081    |  |
|     | 841765   | 1   | Alternator        |          | 50A MO28265-<br>REPL BY 858838   |
|     |          |     |                   | 17080    |  |
| 2   | 841813   | 1   | Pulley            |          |  |
| 3   | 835352   | 1   | Tensioner         |          | EARLY TYPE   |
|     | 855390   | 1   | Tensioner         |          | LATE TYPE  |
| 4   | 955534   | 1   | Hexagon screw     |          |  |
| 5   | 940161   | 1   | Hexagon screw     |          | EARLY TYPE   |
| 6   | 191172   | 2   | Washer            |          | EARLY TYPE   |
| 7   | 941907   | 1   | Spring washer     |          | EARLY TYPE   |
| 8   | 955826   | 1   | Hexagon nut       |          | EARLY TYPE   |
| 9   |          | 1   | Anchorage         |          |  |
| 10  | 955700   | 1   | Hexagon screw     |          |  |
| 11  | 950375   | 1   | Lock nut          |          |  |
| 12  | 840638   | 1   | Junction block    | 17080    |  |
| 13  | 955781   | 2   | · Hexagon nut     |          |  |
| 14  | 941906   | 2   | · Spring washer   |          |  |
| 15  | 941906   | 1   | Spring washer     |          |  |
| 16  | 941905   | 1   | Spring washer     |          |  |
| 17  | 955781   | 1   | Hexagon nut       |          | +  |
| 18  | 955780   | 1   | Hexagon nut       |          | -  |
| 19  | 466735   | 1   | Tensioning eyelet |          | LATE TYPE  |
| 20  | 955298   | 1   | Hexagon screw     |          | LATE TYPE  |
| 21  | 941907   | 1   | Spring washer     |          | LATE TYPE  |