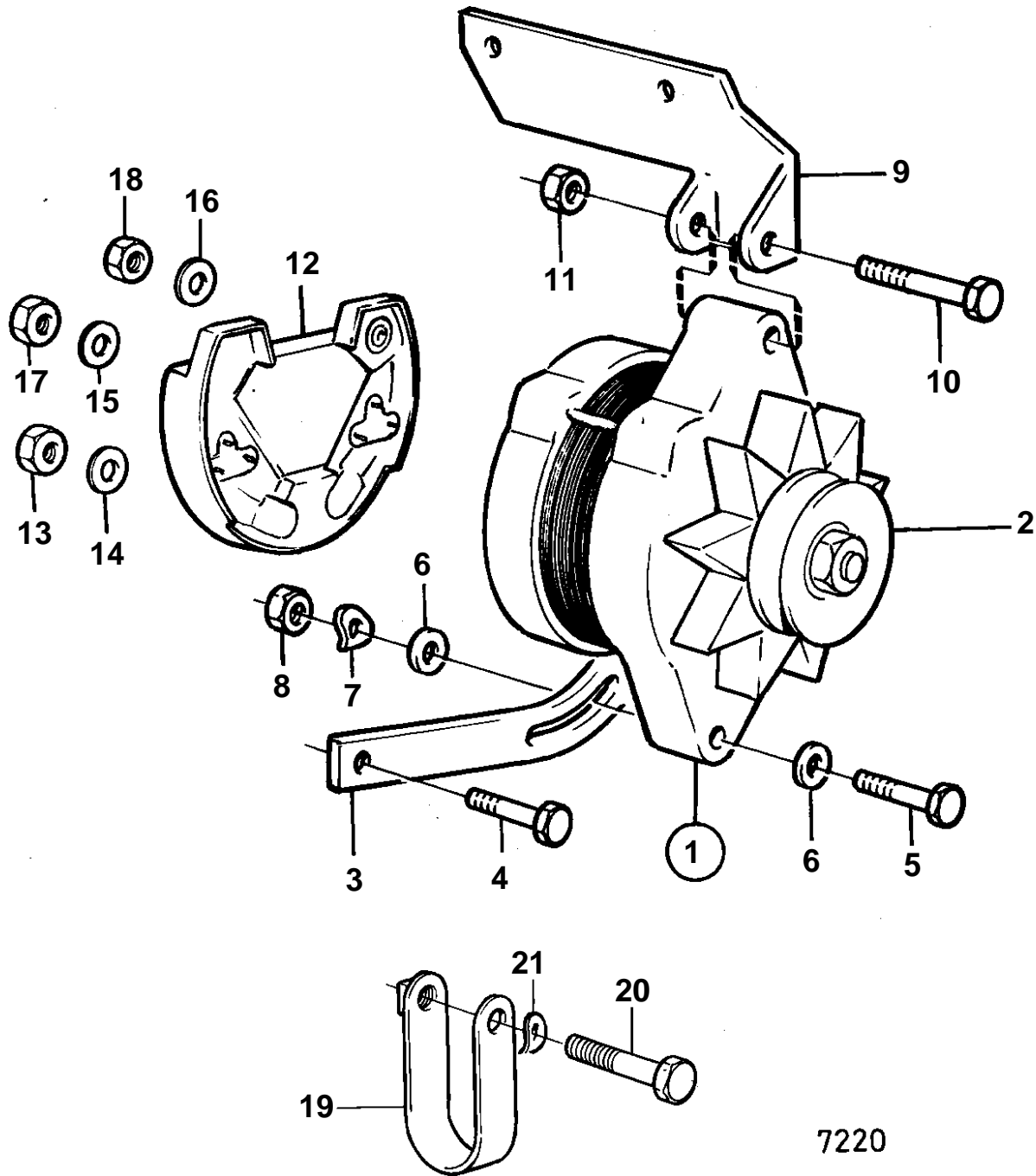


AQ200D



7220

## AQ200D

REF	PART NO.	QTY	DESCRIPTION	SEE SEC.	NOTES
1	826495	1	Alternator		AQ200D MO-11576, AQ225D MO-11736, AQ260A MO-11506, AQ290A MO-12259.
				17081	
		1	Alternator		AQ200D MO 11577-, AQ225D MO 11737-, AQ260A MO 11507-, AQ290A MO12260-., 35A REPL BY 841769
				17081	
		1	Alternator		REPLACED BY 1 ALTERATOR 841765 AND 1 CABLE UNIT 841822., 35A MO-28264
			Bulletin 49-04	49-04-EN	Alternators
1				17081	
	841765	1	Alternator		50A MO28265- REPL BY 858838
				17080	
2	841813	1	Pulley		
3	835352	1	Tensioner		EARLY TYPE
	855390	1	Tensioner		LATE TYPE
4	955534	1	Hexagon screw		
5	940161	1	Hexagon screw		EARLY TYPE
6	191172	2	Washer		EARLY TYPE
7	941907	1	Spring washer		EARLY TYPE
8	955826	1	Hexagon nut		EARLY TYPE
9		1	Anchorage		
10	955700	1	Hexagon screw		
11	950375	1	Lock nut		
12	840638	1	Junction block	17080	
13	955781	2	· Hexagon nut		
14	941906	2	· Spring washer		
15	941906	1	Spring washer		
16	941905	1	Spring washer		
17	955781	1	Hexagon nut		+
18	955780	1	Hexagon nut		-
19	466735	1	Tensioning eyelet		LATE TYPE
20	955298	1	Hexagon screw		LATE TYPE
21	941907	1	Spring washer		LATE TYPE