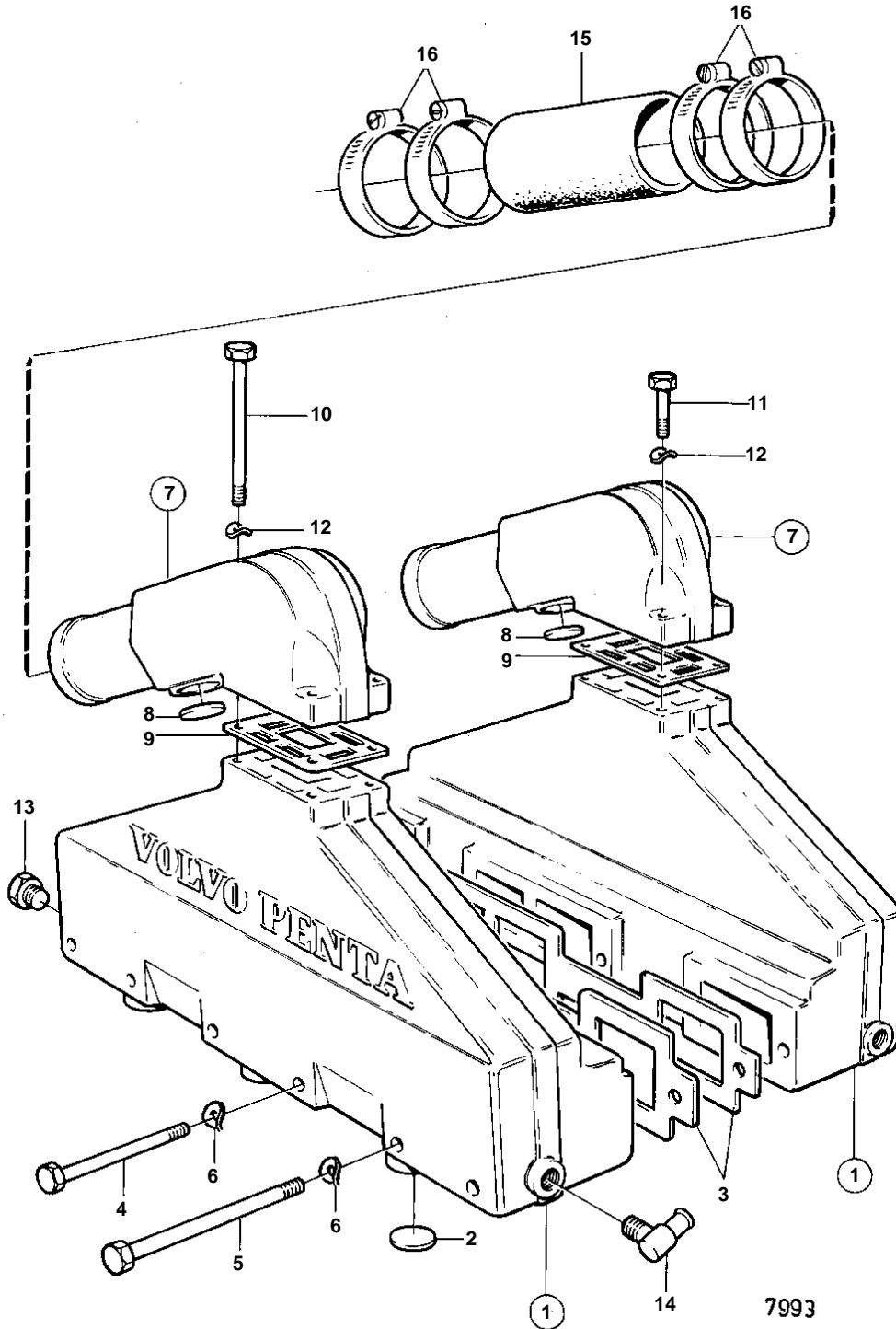


AQ200D



## AQ200D

REF	PART NO.	QTY	DESCRIPTION	SEE SEC.	NOTES
1	835804	2	Exhaust pipe		
2	192211	6	• Expansion plug		
3	835966	2	Gasket		
4	942268	10	Hexagon screw		
5	942547	2	Hexagon screw		
6	942336	12	Spring washer		
7	826460	2	Exhaust riser		REPLACED BY 1EA 855384, 2EA 940136 SCREW AND 2EA 948828 SCREW.
	855384	2	Exhaust riser		
8	192211	2	• Expansion plug		
9	835908	2	Gasket		
10	959794	4	Hexagon screw		
11	940186	4	Hexagon screw		
12	941907	8	Spring washer		
13	192154	2	Plug		
14	961610	2	Hose nipple	17059	
15	834751	2	Exhaust hose, HOSE		FOR ENGINE WITH DRIVE UNIT 280., L = 2X160 MM SEE GROUP 4A
	855388	2	Exhaust hose, HOSE		FOR ENGINE WITH DRIVE UNIT 290., L = 2X130 MM SEE GROUP 4A
16	834718	8	Hose clamp		SEE GROUP 4A