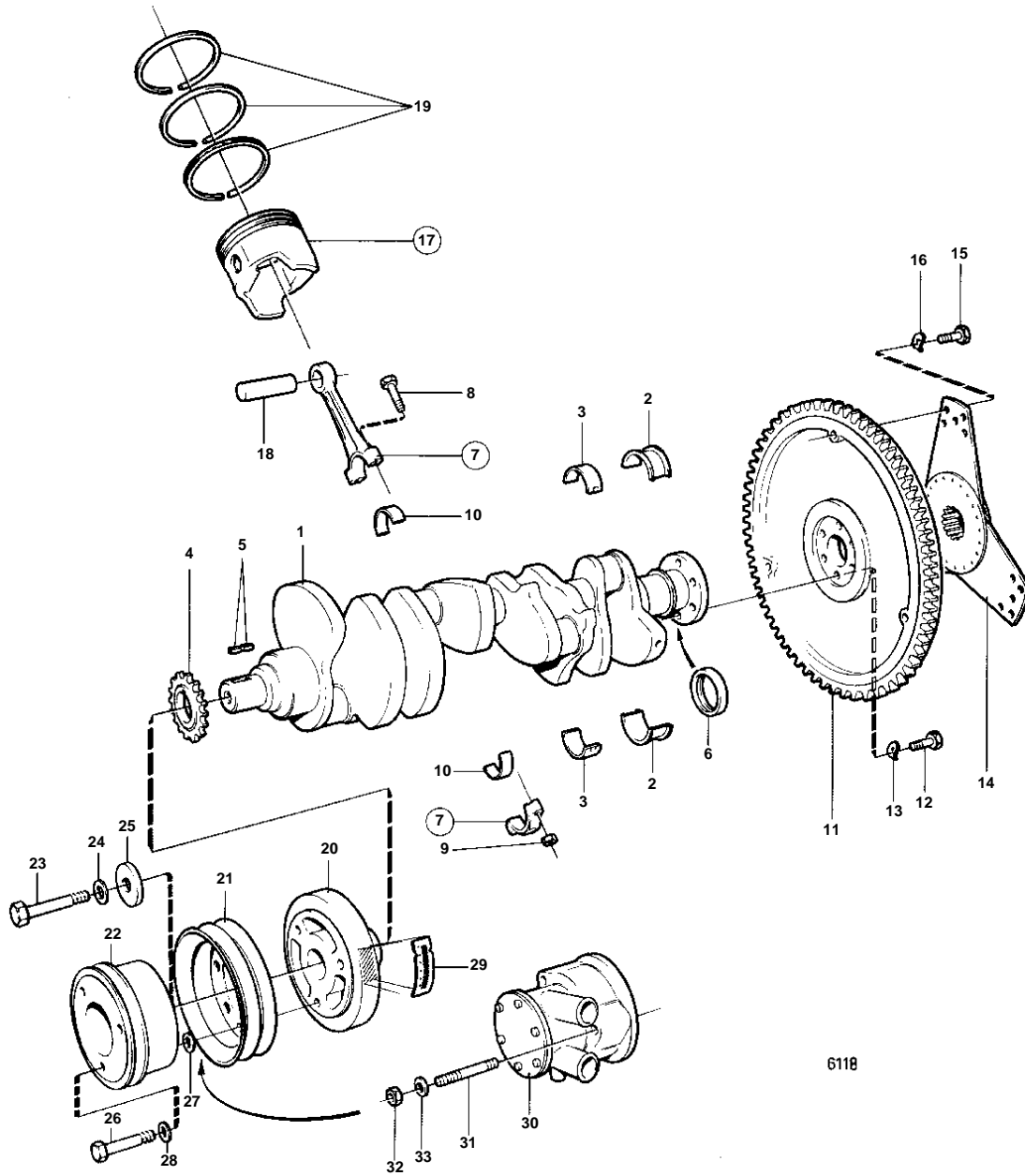


AQ200D, AQ225D



6118

**AQ200D, AQ225D**

REF	PART NO.	QTY	DESCRIPTION	NOTES
1		1	Crankshaft	
2	835052	1	Main bearing	STD
	835055	1	Main bearing	UNDER SIZE 0,010"
	835065	1	Thrust bearing	UNDER SIZE 0,020"
3	835051	4	Main bearing	SPEC. 9881, 9890, 9919, 9958, 9960., STD
	835051	3	Main bearing	EXCL. SPEC. 9882, 9961, 9982., STD
	841254	1	Main bearing	EXCL. SPEC. 9882, 9961, 9982., SPEC. 9882, 9961., STD UPPER
	841255	1	Main bearing	EXCL. SPEC. 9882, 9961, 9982., SPEC. 9882, 9961., STD LOWER
	835053	4	Main bearing	UNDER SIZE 0,010"
	835054	4	Main bearing	UNDER SIZE 0,020"
4	835544	1	Sprocket	
5	835059	2	Key	
6	841240	1	Crankshaft seal	EXCL. SPEC. 9882, 9961, 9982, 9983, 867041, 867157, 817171.
7		8		
8	841213	16	· Screw	
9	835473	16	· Nut	
10	835273	8	Bearing shell	STD
	835396	8	Bearing	UNDER SIZE 0,010"
	835070	8	Bearing	UNDER SIZE 0,020"
11	835432	1	Flywheel	
12	835439	6	Screw	
13	941909	6	Spring washer	
14	835550	1	Absorber	
15	835482	3	Screw	
16	942336	3	Spring washer	
17	826465	8	Piston	STD
	826466	8	Piston	OVER SIZE 0,030"
18		8	· GUDGEON PIN	
19	826469	8	Piston ring kit	EXCL. SPEC. 9882, 9961, 9982, 9983, 867041, 867157, 817171.
	826470	8	Piston ring kit	OVER SIZE 0,030"
20	826477	1	Vibration damper	
21	835407	1	Pulley	
23	955696	1	Hexagon screw	
24		1	Lock washer	
25	835409	1	Washer	
29	834842	1	Decal	
30	826456	1	Sea water pump	SEE GROUP 2B
31	826500	3	Stud	
32		3	Lock nut	
33	955894	3	Washer	