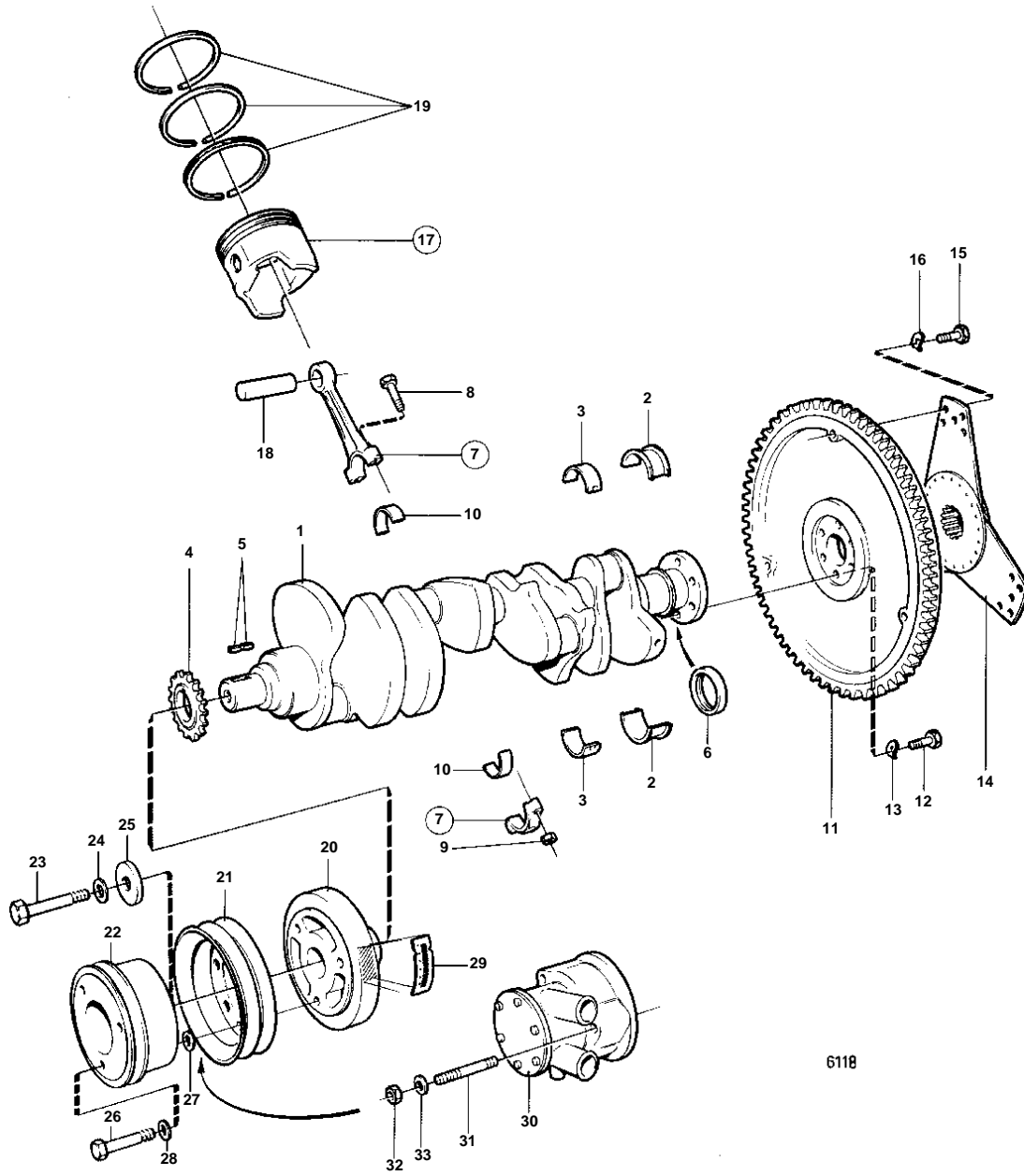


AQ200C, AQ225C



6118

AQ200C, AQ225C

| REF | PART NO. | QTY | DESCRIPTION | NOTES |
|-----|----------|-----|------------------|---|
| 1 | | 1 | Crankshaft | |
| 2 | 835052 | 1 | Main bearing | STD |
| | 835055 | 1 | Main bearing | UNDER SIZE 0,010" |
| | 835065 | 1 | Thrust bearing | UNDER SIZE 0,020" |
| 3 | 835051 | 4 | Main bearing | SPEC. 9881, 9890, 9919, 9958, 9960., STD |
| | 835051 | 3 | Main bearing | EXCL. SPEC. 9882, 9961, 9982., STD |
| | 841254 | 1 | Main bearing | EXCL. SPEC. 9882, 9961, 9982., SPEC. 9882, 9961., STD UPPER |
| | 841255 | 1 | Main bearing | EXCL. SPEC. 9882, 9961, 9982., SPEC. 9882, 9961., STD LOWER |
| | 835053 | 4 | Main bearing | UNDER SIZE 0,010" |
| | 835054 | 4 | Main bearing | UNDER SIZE 0,020" |
| 4 | 835544 | 1 | Sprocket | |
| 5 | 835059 | 2 | Key | |
| 6 | 841240 | 1 | Crankshaft seal | EXCL. SPEC. 9882, 9961, 9982, 9983, 867041, 867157, 817171. |
| 7 | | 8 | | |
| 8 | 841213 | 16 | · Screw | |
| 9 | 835473 | 16 | · Nut | |
| 10 | 835273 | 8 | Bearing shell | STD |
| | 835396 | 8 | Bearing | UNDER SIZE 0,010" |
| | 835070 | 8 | Bearing | UNDER SIZE 0,020" |
| 11 | 835432 | 1 | Flywheel | |
| 12 | 835439 | 6 | Screw | |
| 13 | 941909 | 6 | Spring washer | |
| 14 | 835550 | 1 | Absorber | |
| 15 | 835482 | 3 | Screw | |
| 16 | 942336 | 3 | Spring washer | |
| 17 | 826465 | 8 | Piston | STD |
| | 826466 | 8 | Piston | OVER SIZE 0,030" |
| 18 | | 8 | · GUDGEON PIN | |
| 19 | 826469 | 8 | Piston ring kit | EXCL. SPEC. 9882, 9961, 9982, 9983, 867041, 867157, 817171. |
| | 826470 | 8 | Piston ring kit | OVER SIZE 0,030" |
| 20 | 826477 | 1 | Vibration damper | |
| 21 | 835407 | 1 | Pulley | |
| 22 | | 1 | Pulley | |
| 23 | 949518 | 1 | Hexagon screw | |
| 24 | | 1 | Lock washer | |
| 25 | 835409 | 1 | Washer | |
| 26 | | 3 | Hexagon screw | |
| 27 | 940097 | 3 | Washer | |
| 28 | 942336 | 3 | Spring washer | |
| 29 | 834842 | 1 | Decal | |