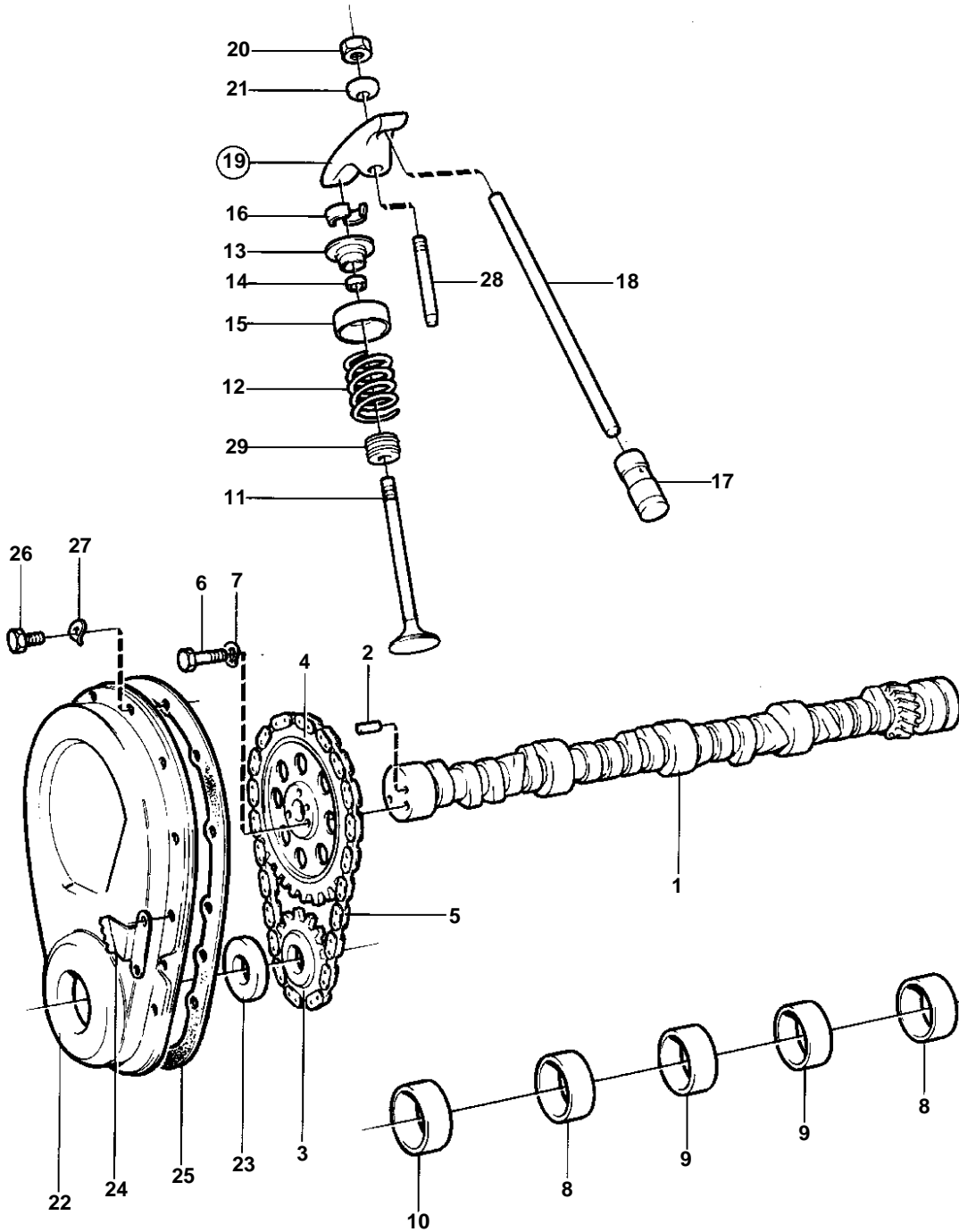


AQ255A



6141

## AQ255A

REF	PART NO.	QTY	DESCRIPTION	SEE SEC.	NOTES
1	835465	1	Camshaft		
2	835040	1	• Locating pin		
3	835403	1	Sprocket		
	835544	1	Sprocket		
4		1	Sprocket		
		1	Sprocket		
5	835405	1	Chain		
	835546	1	Camshaft chain		
6	940135	3	Hexagon screw		
7	941907	3	Spring washer		
8	841423	2	Bushing		EXCL. SPEC. 9882, 9961, 9982, 9983, 867041, 867157, 817171.
9	841424	2	Bushing		EXCL. SPEC. 9882, 9961, 9982, 9983, 867041, 867157, 817171.
10	841422	1	Bearing		EXCL. SPEC. 9882, 9961, 9982, 9983, 867041, 867157, 817171.
11		8	Exhaust valve		MB20B MOXXXX/86638-., STD
	835541	8	Exhaust valve		FOR ENGINE WITH AQ DRIVE 100, 250 OR REDUCTION REVERSE GEAR., FOR ENGINE WITH AQ DRIVE 100B, 270, 280 OR REVERSE GEAR TYPE BORG WARNER., STD
	841372	8	Exhaust valve		FOR ENGINE WITH AQ DRIVE 100, 250 OR REDUCTION REVERSE GEAR., FOR ENGINE WITH AQ DRIVE 100B, 270, 280 OR REVERSE GEAR TYPE BORG WARNER., OVER SIZE 0,015"
		8	Valve		MB20B MOXXXX/86638-., OVER SIZE 0,015"
	835541	8	Exhaust valve		MB20B MOXXXX/86638-., OVER SIZE 0,030"
	841372	8	Exhaust valve		MB20B MOXXXX/86638-., OVER SIZE 0,045"
		8			STD
		8			OVER SIZE 0,010"
	841874	8	Inlet valve		FOR ENGINE WITH AQ DRIVE 100B, 270, 280 OR REVERSE GEAR TYPE BORG WARNER., OVER SIZE 0,010"
	835501	8	Valve		OVER SIZE 0,030"
	841875	8	Inlet valve		FOR ENGINE WITH AQ DRIVE 100B, 270, 280 OR REVERSE GEAR TYPE BORG WARNER., OVER SIZE 0,030"
12		8	Valve spring		AQ130C MO-XXXX/87512.
	835102	8	Spring		AQ130C MOXXXX/87513-.
	835102	16	Spring		FOR ENGINE WITH AQ DRIVE 100B, 270, 280 OR REVERSE GEAR TYPE BORG WARNER., BB115B MOXXXX/86909-.
13	835400	8	Valve spring washer		AQ130C MO-XXXX/87512.
	841782	8	Valve spring washer		AQ130C MOXXXX/87513-.
14	835106	16	Sealing ring		
15	841781	16	Shield		(835107)
16	835401	32	Valve collet		
17	835089	16	Tappet		
18	835088	16	Push rod		
19	835090	16	Rocker arm		
20	841198	16	• Nut		
21	841199	16	• Ball		
22	835385	1	Cover		
23	835386	1	• Seal		
24	841038	1	Setting indicator		
25	835389	1	Gasket		
26	835369	10	Screw		
27	941906	10	Spring washer		
28	835108	16	Stud	13095	
	841779	16	Stud		OVER SIZE 0,013"
29	841871	8	Seal		FOR ENGINE WITH AQ DRIVE 100B, 270, 280 OR REVERSE GEAR TYPE BORG WARNER.