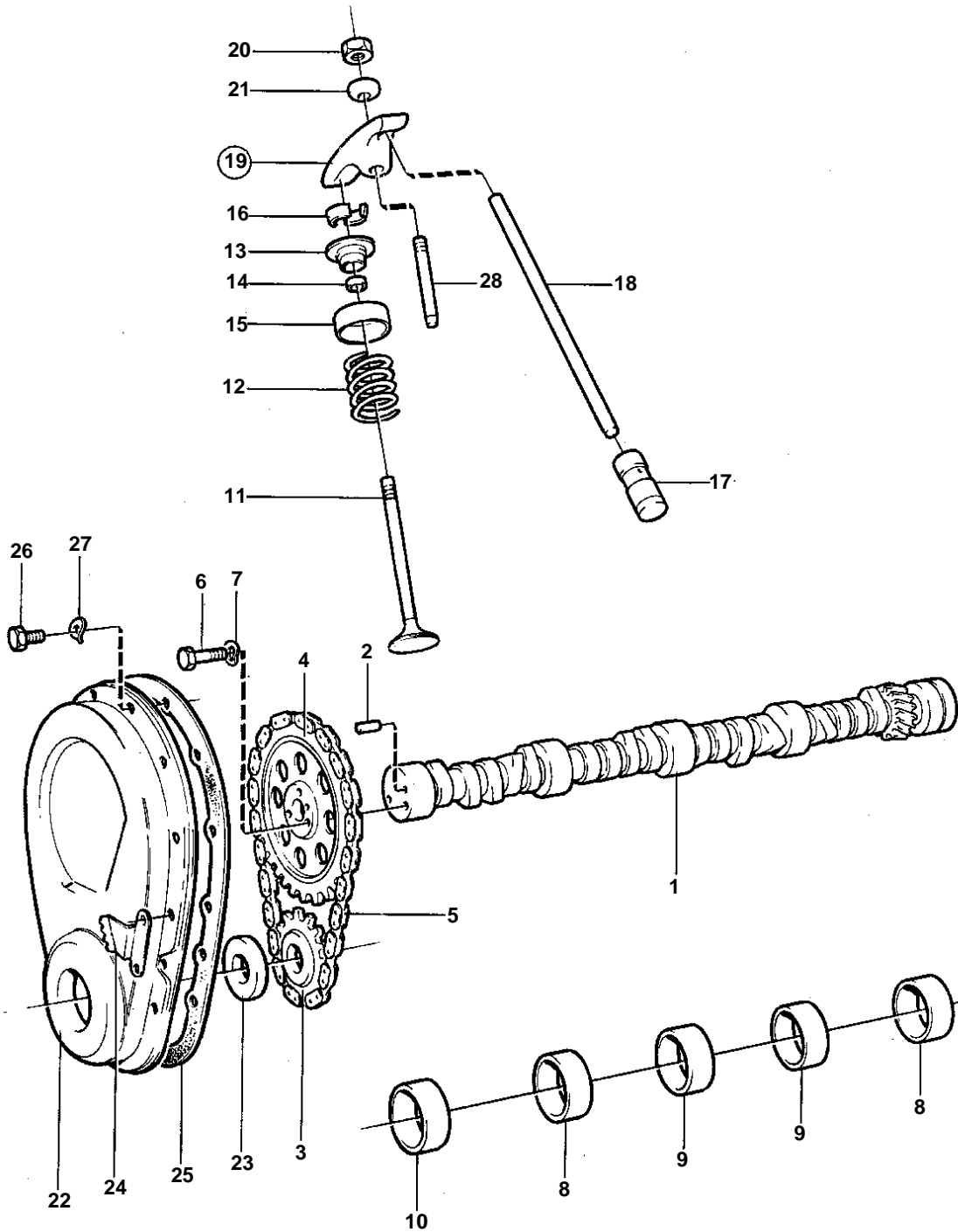


AQ200C



6142

## AQ200C

| REF | PART NO. | QTY | DESCRIPTION         | SEE SEC. | NOTES   |
|-----|----------|-----|---------------------|----------|---|
| 1   | 835465   | 1   | Camshaft            |          |   |
| 2   | 835040   | 1   | · Locating pin      |          |   |
| 3   | 835403   | 1   | Sprocket            |          |   |
|     | 835544   | 1   | Sprocket            |          |   |
| 4   |          | 1   | Sprocket            |          |   |
|     |          | 1   | Sprocket            |          |   |
| 5   | 835405   | 1   | Chain               |          |   |
|     | 835546   | 1   | Camshaft chain      |          |   |
| 6   | 940135   | 3   | Hexagon screw       |          |   |
| 7   | 941907   | 3   | Spring washer       |          |   |
| 8   | 841423   | 2   | Bushing             |          | EXCL. SPEC. 9882, 9961, 9982, 9983, 867041, 867157, 817171. |
| 9   | 841424   | 2   | Bushing             |          | EXCL. SPEC. 9882, 9961, 9982, 9983, 867041, 867157, 817171. |
| 10  | 841422   | 1   | Bearing             |          | EXCL. SPEC. 9882, 9961, 9982, 9983, 867041, 867157, 817171. |
| 11  |          | 8   | Exhaust valve       |          | MB20B MOXXXX/86638-., STD                                   |
|     |          | 8   | Valve               |          | MB20B MOXXXX/86638-., OVER SIZE 0,015"                      |
|     | 835541   | 8   | Exhaust valve       |          | MB20B MOXXXX/86638-., OVER SIZE 0,030"                      |
|     | 841372   | 8   | Exhaust valve       |          | MB20B MOXXXX/86638-., OVER SIZE 0,045"                      |
|     |          | 8   |                     |          | STD   |
|     |          | 8   |                     |          | OVER SIZE 0,010"  |
|     |          | 8   | Inlet valve         |          | OVER SIZE 0,030"  |
| 12  |          | 8   | Valve spring        |          | AQ130C MO-XXXX/87512.                                       |
|     | 835102   | 8   | Spring              |          | AQ130C MOXXXX/87513-.                                       |
| 13  | 835400   | 8   | Valve spring washer |          | AQ130C MO-XXXX/87512.                                       |
|     | 841782   | 8   | Valve spring washer |          | AQ130C MOXXXX/87513-.                                       |
| 14  | 835106   | 16  | Sealing ring        |          |   |
| 15  | 841781   | 16  | Shield              |          | (835107)  |
| 16  | 835401   | 32  | Valve collet        |          |   |
| 17  | 835089   | 16  | Tappet              |          |   |
| 18  | 835088   | 16  | Push rod            |          |   |
| 19  | 835090   | 16  | Rocker arm          |          |   |
| 20  | 841198   | 16  | · Nut               |          |   |
| 21  | 841199   | 16  | · Ball              |          |   |
| 22  | 835385   | 1   | Cover               |          | AQ115A MOXXXX/86909-.                                       |
| 23  | 835386   | 1   | · Seal              |          |   |
| 24  | 841038   | 1   | Setting indicator   |          |   |
| 25  | 835389   | 1   | Gasket              |          |   |
| 26  | 835369   | 10  | Screw               |          |   |
| 27  | 941906   | 10  | Spring washer       |          |   |
| 28  | 835108   | 16  | Stud                | 13094    |   |
|     | 841779   | 16  | Stud                |          | OVER SIZE 0,013"  |