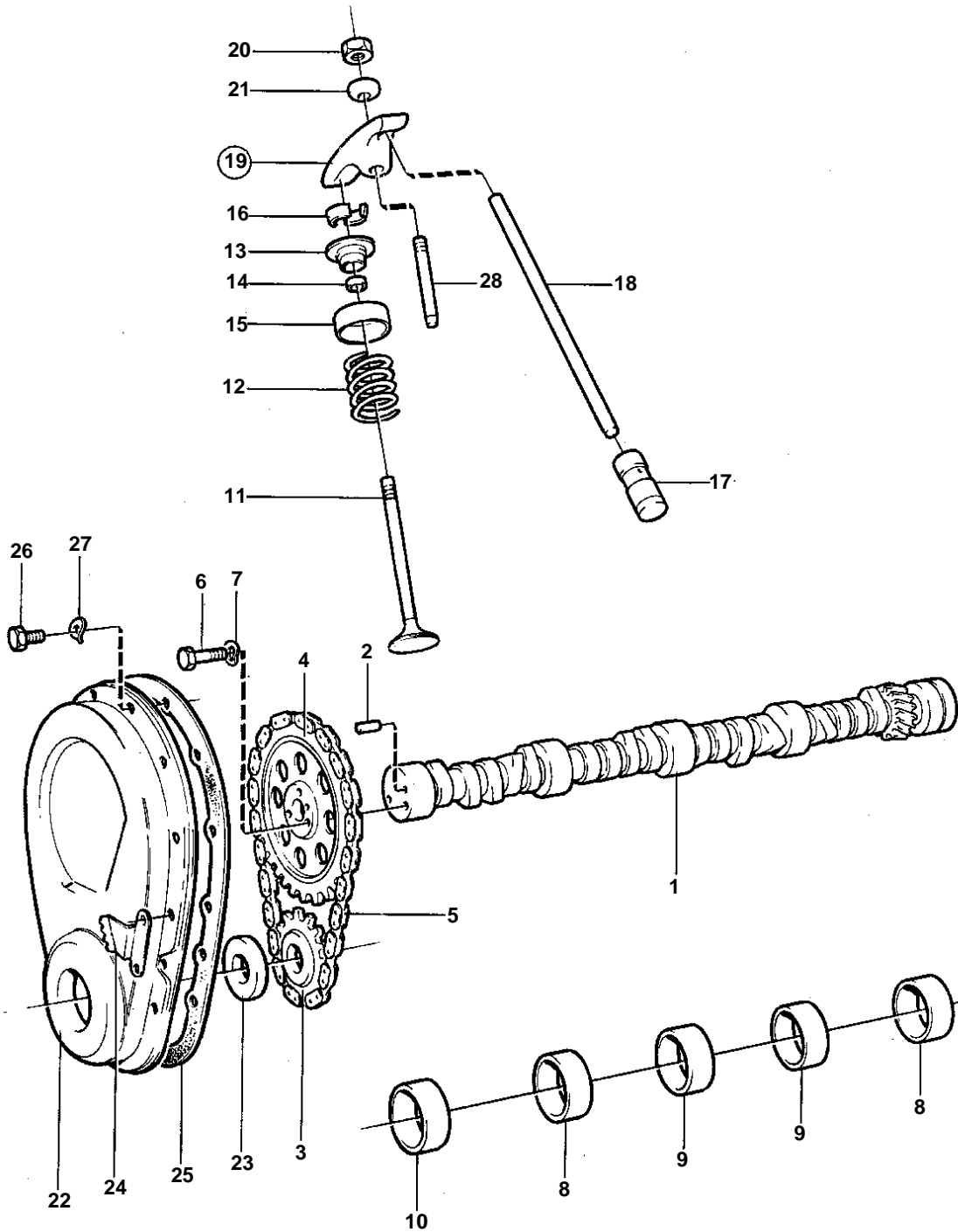


AQ200C



6142

AQ200C

REF	PART NO.	QTY	DESCRIPTION	SEE SEC.	NOTES
1	835465	1	Camshaft		
2	835040	1	· Locating pin		
3	835403	1	Sprocket		
	835544	1	Sprocket		
4		1	Sprocket		
		1	Sprocket		
5	835405	1	Chain		
	835546	1	Camshaft chain		
6	940135	3	Hexagon screw		
7	941907	3	Spring washer		
8	841423	2	Bushing		EXCL. SPEC. 9882, 9961, 9982, 9983, 867041, 867157, 817171.
9	841424	2	Bushing		EXCL. SPEC. 9882, 9961, 9982, 9983, 867041, 867157, 817171.
10	841422	1	Bearing		EXCL. SPEC. 9882, 9961, 9982, 9983, 867041, 867157, 817171.
11		8	Exhaust valve		MB20B MOXXXX/86638-., STD
		8	Valve		MB20B MOXXXX/86638-., OVER SIZE 0,015"
	835541	8	Exhaust valve		MB20B MOXXXX/86638-., OVER SIZE 0,030"
	841372	8	Exhaust valve		MB20B MOXXXX/86638-., OVER SIZE 0,045"
		8			STD
		8			OVER SIZE 0,010"
		8	Inlet valve		OVER SIZE 0,030"
12		8	Valve spring		AQ130C MO-XXXX/87512.
	835102	8	Spring		AQ130C MOXXXX/87513-.
13	835400	8	Valve spring washer		AQ130C MO-XXXX/87512.
	841782	8	Valve spring washer		AQ130C MOXXXX/87513-.
14	835106	16	Sealing ring		
15	841781	16	Shield		(835107)
16	835401	32	Valve collet		
17	835089	16	Tappet		
18	835088	16	Push rod		
19	835090	16	Rocker arm		
20	841198	16	· Nut		
21	841199	16	· Ball		
22	835385	1	Cover		AQ115A MOXXXX/86909-.
23	835386	1	· Seal		
24	841038	1	Setting indicator		
25	835389	1	Gasket		
26	835369	10	Screw		
27	941906	10	Spring washer		
28	835108	16	Stud	13094	
	841779	16	Stud		OVER SIZE 0,013"