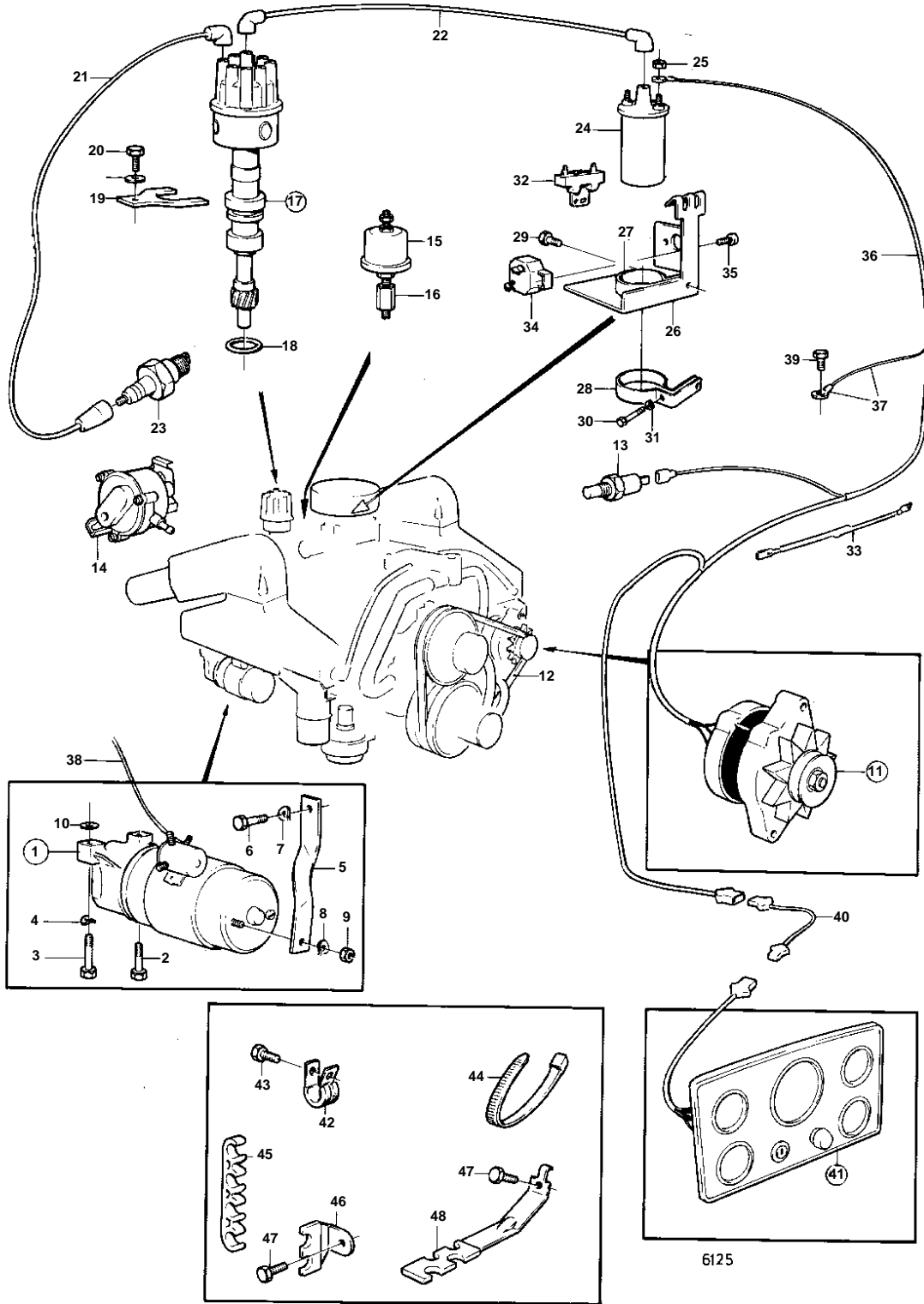


AQ255A



AQ255A

REF	PART NO.	QTY	DESCRIPTION	SEE SEC.	NOTES
1		1			FOR CABLE AREA 0,75-2,0 SQMM., REPL BY 834893
		1			FOR CABLE AREA 1,5-2,5 SQMM., REPL BY 834893
	834893	1	Starter motor		
2	835424	1	Screw		
3	835425	1	Screw		
4	942336	2	Spring washer		
5		1	Bracket		
6	940113	1	Hexagon screw		
7	941907	1	Spring washer		
8	941906	1	Spring washer		
9	955825	1	Hexagon nut		
10	841194	X	Adjusting washer		
11		1	ALTERNATOR AND INSTALLATION COMPONENTS	13120	
12	958498	1	V-belt		
13	835630	1	Temperature sensor		SEE GROUP 2B
	835649	1	Sensor		FOR CABLE AREA 6,5-10,5 SQMM.
15	834920	1	Oil pressure sensor		
	834921	1	Oil pressure sensor		FOR CABLE AREA 6,5-10,5 SQMM.
16	835980	1	Nipple		
17	826430	1	Distributor		
18	835154	1	Gasket		
19	841530	1	Retainer		
20	955534	1	Hexagon screw		
21	841228	2	Ignition cable		CYL 1,2
	841227	2	Ignition cable		CYL 3,4
	841226	2	Ignition cable		CYL 5,6
	841225	2	Ignition cable		CYL 7,8
22	841224	1	Ignition cable		
23	835269	8	Spark plug		
24	835998	1	Ignition coil		
25		2	Nut		
28		1	Bracket		
30		1	Cross recessed screw		L = 45 MM
31	941905	1	Spring washer		
32	835999	1	Series resistance		
34	841178	1	Automatic fuse		40A
35	950013	2	Cross recessed screw		
36		1	Cable trunk		
37		X	CABLE AND CABLE TERMINALS	13119	
40		1	CABLE UNIT		REPLACED BY 1EA 846622 FLOW SWITCH AND 1EA 846632 NIPPLE.
		1	CABLE UNIT		ACC. TO CLASSIFICATION.
41		1			
		1			
		1			
		1			
		1	Instrument panel		
		1	Instrument panel		
		1	Instrument panel		
		1	Instrument panel		
44	827353	X	Cable tie		
45		2	Retainer		
46		2	Retainer		
47	835369	4	Screw		
48	835427	2	Retainer		