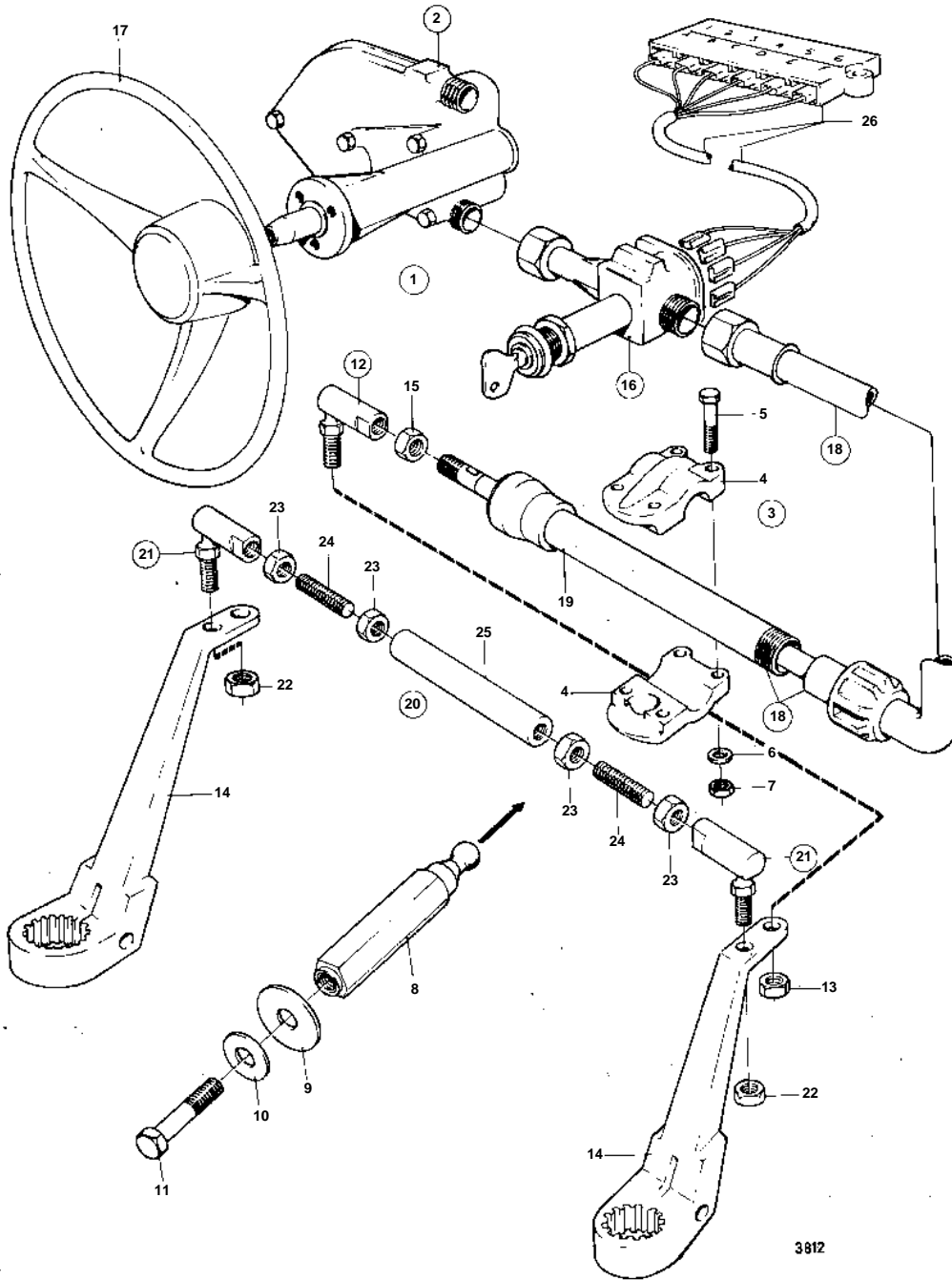


AQ200C,AQ225C,AQ255A



3812

AQ200C,AQ225C,AQ255A

REF	PART NO.	QTY	DESCRIPTION	SEE SEC.	NOTES
1	850809	1	Steering head		
				060-0500	
2	814140	1	Bracket		
			ATTACHMENT		
3		2	• CLAMP BLOCK		
4		4	• SCREW		
5	941906	4	• Spring washer		
6	955846	4	• Nut		
7		1	• PIVOT		
8	945544	1	• Washer		
9	18702	1	• Washer		
10	955714	1	• Screw		
11	814152	1	Ball joint		
12	950386	1	• Nut		
13			• STEERING LEVER		SEE GROUP 4A
14	940154	1	Nut		
15	839544	1	Steering lock		
				060-0800	
16	850936	1	Steering wheel		
17		X	STEERING CABLE		L = 3000 MM. REPLACED BY 837347,837348,837349 AND CONNECTING COMPONENT S FOR NEW PIPES
		X	STEERING CABLE		L = 3300 MM. FOR EARLY TYPE OF 832394.
		X	STEERING CABLE		L = 3600 MM. FOR SPED.867167, 867224, 867266.
		X	STEERING CABLE		L = 3900 MM. FOR 839230 AND EARLY TYPE OF 839094.
		X	STEERING CABLE		L = 4200 MM. NOT INCLUDED IN 839230.
		X	STEERING CABLE		L = 4500 MM. MARKED1,INSTALL. IN PUMP HOUSING MARKED1.
		X	STEERING CABLE		L = 4800 MM. MARKED2,INSTALL. IN PUMP HOUSING MARKED2.
		X	STEERING CABLE		L = 5100 MM. SINGLE ENGINE INSTALLATION.
		X	STEERING CABLE		L = 5500 MM. TWIN ENGINE INSTALLATION.
		X	STEERING CABLE		L = 6700 MM. INCLUDED IN 839088.
		X	STEERING CABLE		L = 7900 MM. INCLUDED IN 839229.
		X	STEERING CABLE		L = 8500 MM. INCLUDED IN 850137.
18	839674	1	• Tube		
19	839573	1	Ball joint		INCLUDED IN 850138.
20	814152	2	• Ball joint		
21	950386	2	• • Nut		
22	940154	4	• Nut		
23	839577	2	• Rod		
24	839576	1	• Tube		
25	839617	1	Extension cable'verl		L = 850 MM