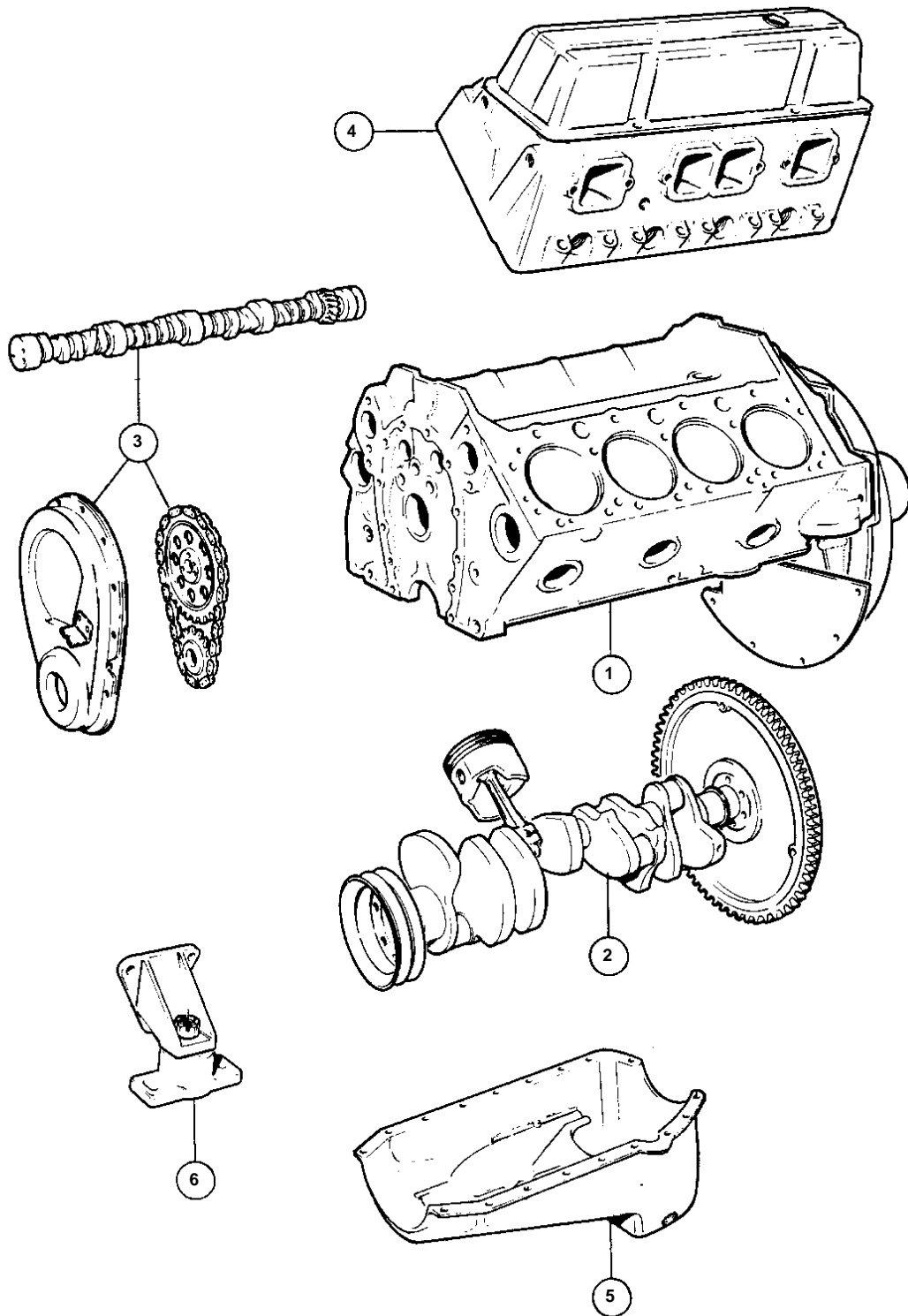


AQ200C,AQ200D



5515

AQ200C,AQ200D

REF	DESCRIPTION	SEE SEC.
1	CYLINDER BLOCK AND FLYWHEEL COVER	
		02A-0200
2	CRANKSHAFT AND RELATED PARTS	
		02A-0300
3	CAMSHAFT AND VALVE MECHANISM	
		02A-0400
4	CYLINDER HEAD	02A-0500
5	LUBRICATING SYSTEM	02A-0600
6	ENGINE MOUNTS	02A-0700