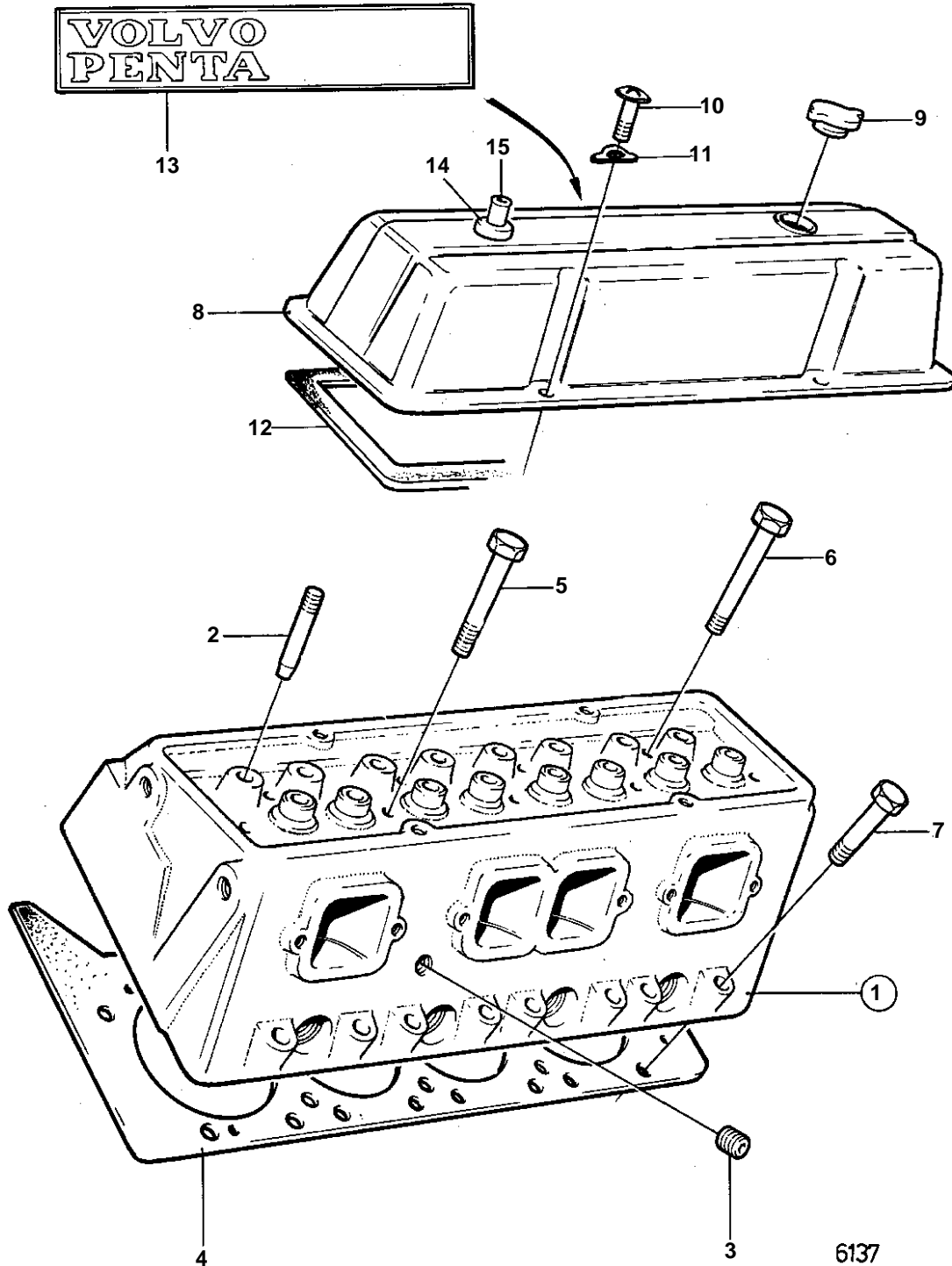


AQ255A,AQ255B



AQ255A,AQ255B

REF	PART NO.	QTY	DESCRIPTION	SEE SEC.	NOTES
1	841872	2	Cylinder head		
2	835108	16	· Stud	02A-0450	
3	952357	2	Plug		
4	841207	2	Gasket	IK	
5	835077	14	Screw		
6	835079	4	Screw		
7	835078	16	Screw		
8	841868	2	Valve cover		
9	818620	2	Filler cap		
10	841426	8	Screw		
12	841261	X	Sealant	IK	SEE GROUP 9