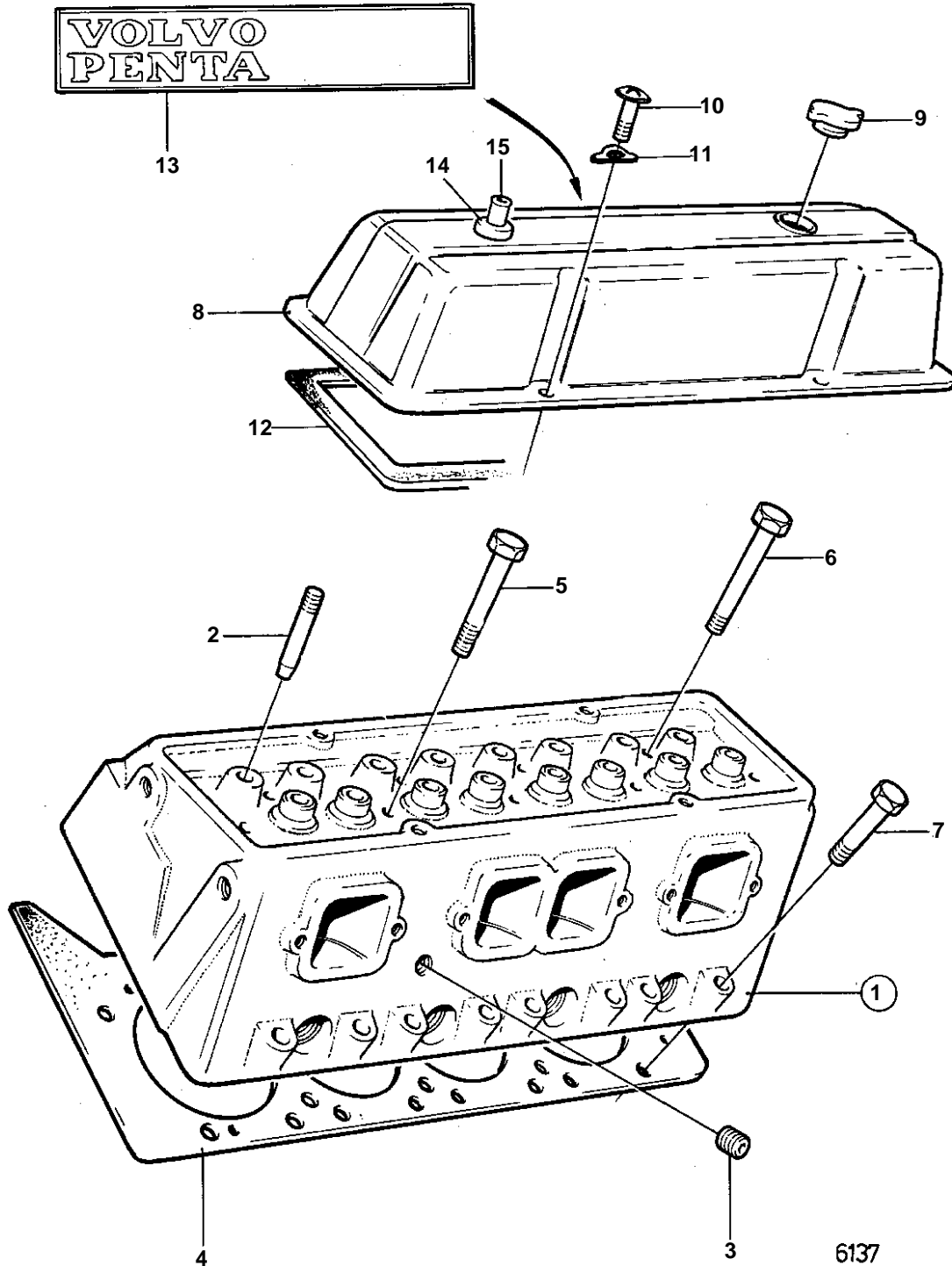


AQ200C,AQ200D,AQ225C,AQ225D



AQ200C,AQ200D,AQ225C,AQ225D

REF	PART NO.	QTY	DESCRIPTION	SEE SEC.	NOTES
1	841434	2	Cylinder head		ONLY WHEN REVERSE GEAR IS INSTALLED.
2	835108	16	· Stud	02A-0400	
3	952358	2	Plug		
4	841207	2	Gasket	IK	
5	835077	14	Screw		
6	835079	4	Screw		
7	835078	16	Screw		
8	841212	2	Valve cover		
9	818620	2	Filler cap		
10	841426	8	Screw		
11	835095	8	Washer		
12	835096	2	Gasket	IK	
13	826424	2	Decal		AQ200D