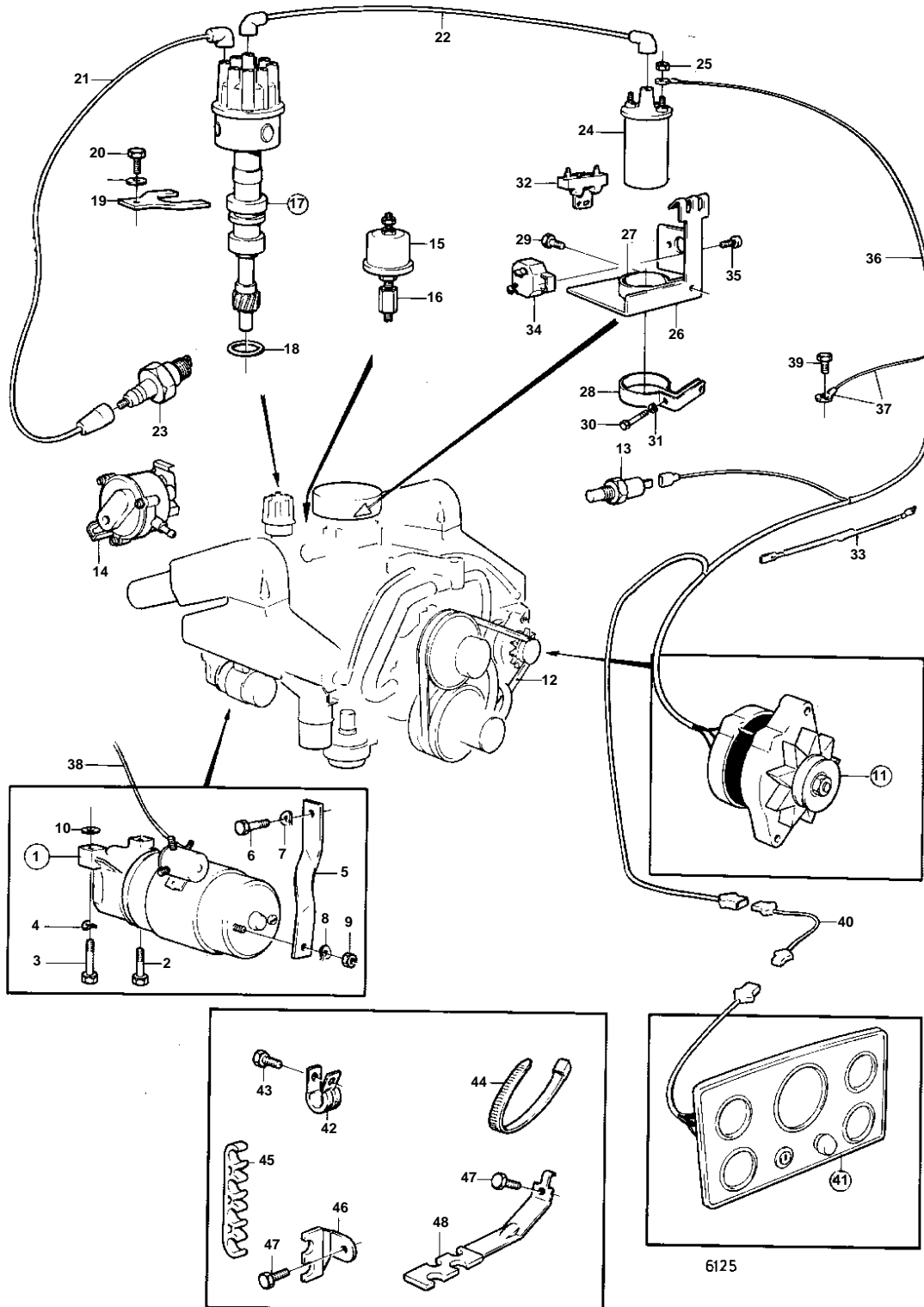


AQ200C,AQ200D,AQ225C,AQ225D,AQ255A,AQ255B



AQ200C,AQ200D,AQ225C,AQ225D,AQ255A,AQ255B

REF	PART NO.	QTY	DESCRIPTION	SEE SEC.	NOTES
1	835334	1			REPL BY 834893. FOR CABLE AREA 0,75-2,0 SQMM.
				030-0500	
1	835997	1			REPL BY 834893. FOR CABLE AREA 3,0-6,0 SQMM.
				030-0500	
	834893	1	Starter motor		
				030-0600	
2	835424	1	Screw		
3	835425	1	Screw		
4	942336	2	Spring washer		
5	835122	1	Bracket		
6	940113	1	Screw		
7	941907	1	Spring washer		
8	941906	1	Spring washer		
9	955825	1	Nut		
10	841194	X	Adjusting washer		
11		1	ALTERNATOR AND INSTALLATION COMPONENTS	030-0200	
12	958498	1	V-belt		
13	835630	1	Temperature sensor		SEE GROUP 2B
	835649	1	Sender		FOR CABLE AREA 6,5-10,5 SQMM.
15	834920	1	Oil pressure sensor		
	834921	1	Oil pressure sensor		FOR CABLE AREA 6,5-10,5 SQMM.
16	835980	1	Nipple		
17	826430	1	Distributor		
				030-0300	
18	835154	1	Gasket	IK	
19	841530	1	Clamp		
20	955534	1	Screw		
21	841228	2	Ignition cable		CYL 1,2
	841227	2	Ignition cable		CYL 3,4
	841226	2	Ignition cable		CYL 5,6
	841225	2	Ignition cable		CYL 7,8
22	841224	1	Ignition cable		
23	835269	8	Spark plug		
24	835998	1	Ignition coil		
25	834772	2	Nut		
28	835475	1	Bracket		
30	950028	1	Screw		L = 45 MM
31	941905	1	Spring washer		
32	835999	1	Resistor		
34	841178	1	Fuse		40A
35	950013	2	Screw		
36	826348	1	Cable trunk		
37		X	· CABLE AND CABLE TERMINALS · TERMINALS	030-1000	

AQ200C,AQ200D,AQ225C,AQ225D,AQ255A,AQ255B

REF	PART NO.	QTY	DESCRIPTION	SEE SEC.	NOTES
40		1	CABLE UNIT		REPLACED BY 1EA 846622 FLOW SWITCH AND 1EA 846632 NIPPLE. ACC. TO CLASSIFICATION.
		1	CABLE UNIT		
41	835970	1		030-0700	
	835971	1		030-0700	
	835972	1		030-0700	
	835973	1		030-0700	
	841094	1	Instrument panel	030-0800	
	841095	1	Instrument panel	030-0800	
	841096	1	Instrument panel	030-0800	
	841097	1	Instrument panel	030-0800	
44	827353	X	Clamping ring		
45	835429	2	Retainer		
46	835428	2	Retainer		
47	835369	4	Screw		
48	835427	2	Retainer		