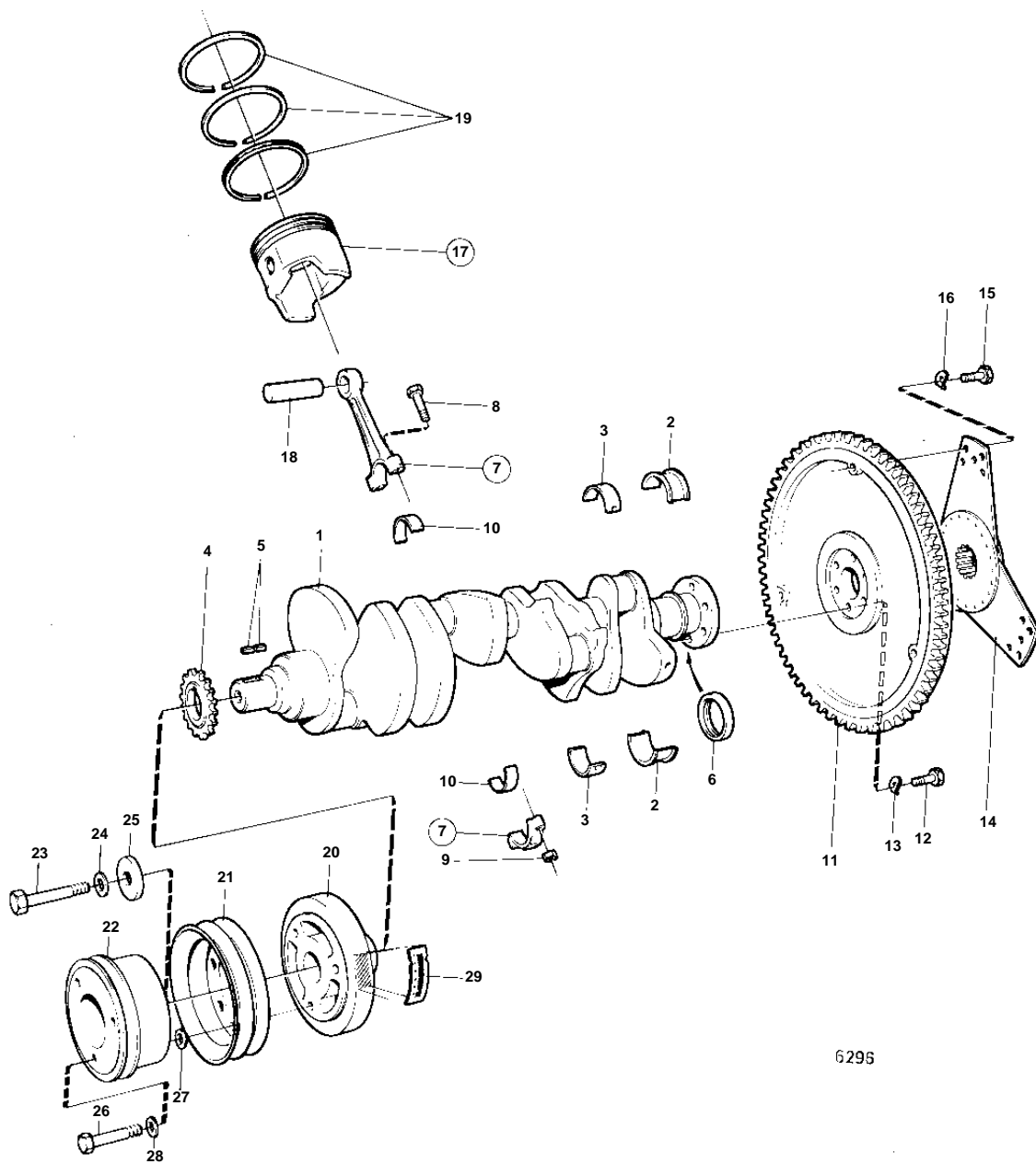


AQ200B



AQ200B

| REF | PART NO. | QTY | DESCRIPTION | SEE SEC. | NOTES |
|-----|----------|-----|-----------------|----------|-------------------------------------|
| 1 | | 1 | Crankshaft | | |
| 2 | 835052 | 1 | Main bearing | | STD |
| | 835055 | 1 | Main bearing | | UNDER SIZE 0,010" |
| | 835065 | 1 | Thrust bearing | | UNDER SIZE 0,020" |
| 3 | 835051 | 4 | Main bearing | | STD |
| | 835053 | 4 | Main bearing | | UNDER SIZE 0,010" |
| | 835054 | 4 | Main bearing | | UNDER SIZE 0,020" |
| 4 | 835544 | 1 | Sprocket | 13025 | |
| 5 | 835059 | 2 | Key | | |
| 6 | 841240 | 1 | Crankshaft seal | | SPEC. 9881, 9890. 9919, 9958, 9960. |
| 7 | | 8 | | | |
| 8 | 841213 | 16 | · Screw | | |
| 9 | 835473 | 16 | · Nut | | |
| 10 | 835273 | 8 | Bearing shell | | STD |
| | 835396 | 8 | Bearing | | UNDER SIZE 0,010" |
| | 835070 | 8 | Bearing | | UNDER SIZE 0,020" |
| 11 | 835432 | 1 | Flywheel | | |
| 12 | 835439 | 6 | Screw | | |
| 13 | 941909 | 6 | Spring washer | | |
| 14 | 835550 | 1 | Absorber | | |
| 15 | 835482 | 3 | Screw | | |
| 16 | 942336 | 3 | Spring washer | | |
| 17 | | 8 | Piston pin | | STD |
| | | 8 | Piston pin | | OVER SIZE 0,030" |
| 18 | | 8 | · GUDGEON PIN | | |
| 19 | 835382 | 8 | Ring | | STD |
| | | 8 | Ring | | OVER SIZE 0,030" |
| 20 | | 1 | Absorber | | |
| 21 | 835407 | 1 | Pulley | | |
| 22 | | 1 | PULLEY | | EXCL. SPEC. 9882, 9961, 9982. |
| 23 | | 1 | Screw | | |
| 24 | | 1 | Lock washer | | |
| 25 | 835409 | 1 | Washer | | |
| 26 | | 3 | Screw | | SPEC. 9882, 9961., L = 76 MM |
| 27 | 940097 | 3 | Washer | | |
| 28 | 942336 | 3 | Spring washer | | |
| 29 | 834842 | 1 | Decal | | |