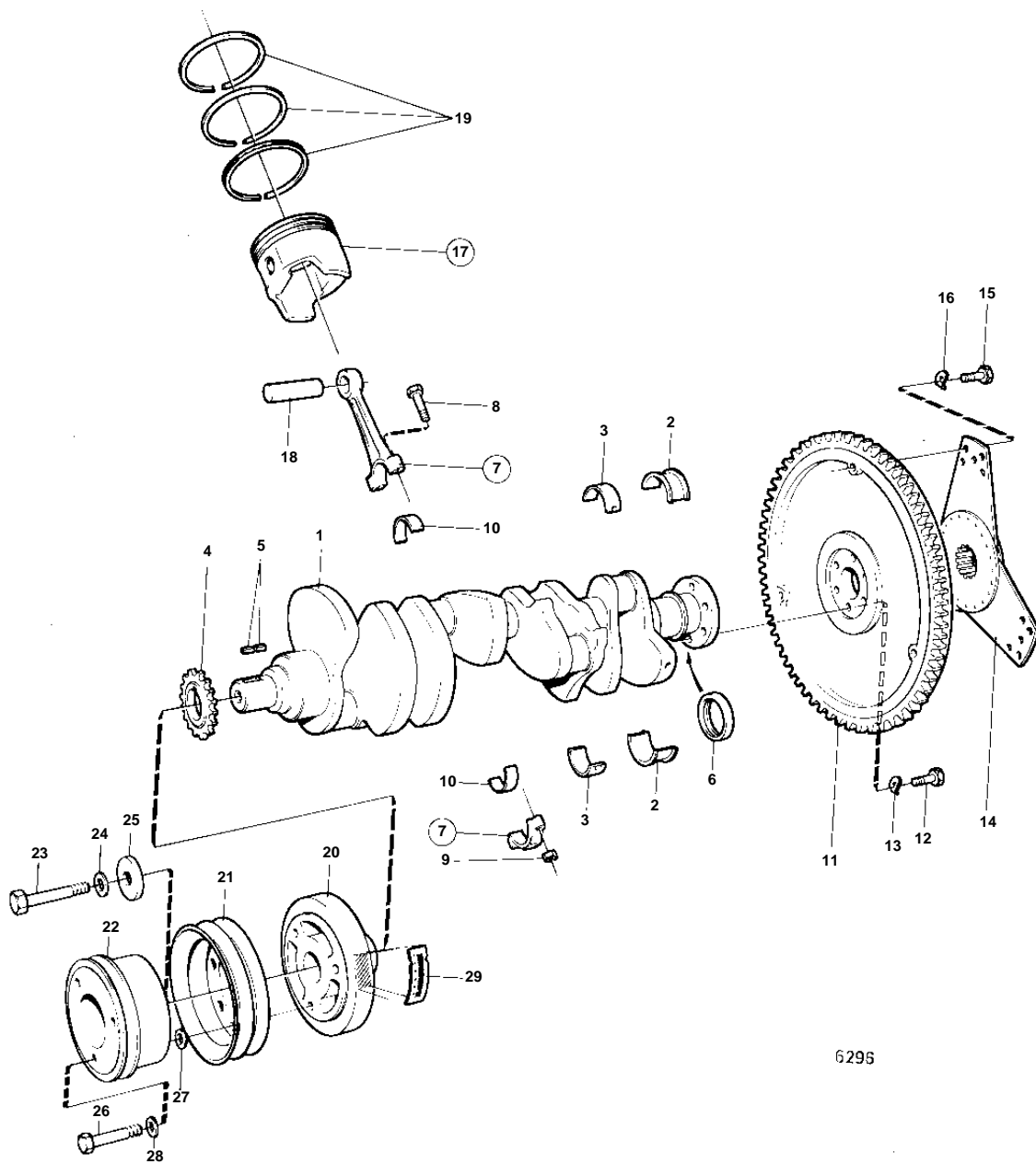


AQ200B



AQ200B

REF	PART NO.	QTY	DESCRIPTION	SEE SEC.	NOTES
1		1	Crankshaft		
2	835052	1	Main bearing		STD
	835055	1	Main bearing		UNDER SIZE 0,010"
	835065	1	Thrust bearing		UNDER SIZE 0,020"
3	835051	4	Main bearing		STD
	835053	4	Main bearing		UNDER SIZE 0,010"
	835054	4	Main bearing		UNDER SIZE 0,020"
4	835544	1	Sprocket	13025	
5	835059	2	Key		
6	841240	1	Crankshaft seal		SPEC. 9881, 9890. 9919, 9958, 9960.
7		8			
8	841213	16	· Screw		
9	835473	16	· Nut		
10	835273	8	Bearing shell		STD
	835396	8	Bearing		UNDER SIZE 0,010"
	835070	8	Bearing		UNDER SIZE 0,020"
11	835432	1	Flywheel		
12	835439	6	Screw		
13	941909	6	Spring washer		
14	835550	1	Absorber		
15	835482	3	Screw		
16	942336	3	Spring washer		
17		8	Piston pin		STD
		8	Piston pin		OVER SIZE 0,030"
18		8	· GUDGEON PIN		
19	835382	8	Ring		STD
		8	Ring		OVER SIZE 0,030"
20		1	Absorber		
21	835407	1	Pulley		
22		1	PULLEY		EXCL. SPEC. 9882, 9961, 9982.
23		1	Screw		
24		1	Lock washer		
25	835409	1	Washer		
26		3	Screw		SPEC. 9882, 9961., L = 76 MM
27	940097	3	Washer		
28	942336	3	Spring washer		
29	834842	1	Decal		